

SK/DAT

DIN 69871

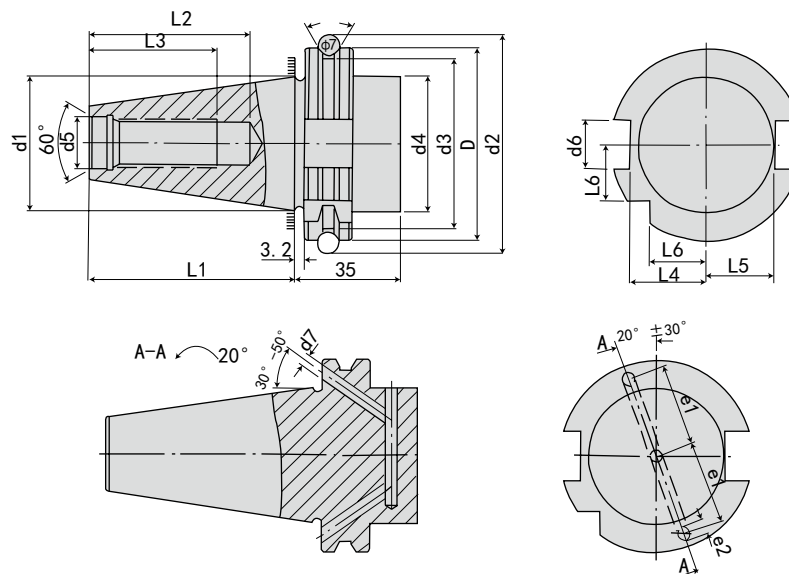
PRECISION TOOL HOLDERS SYSTEM



SK/DAT 数控刀柄系列

CNC TOOL SYSTEMS

· 参考资料 REFERENCE DETAILS

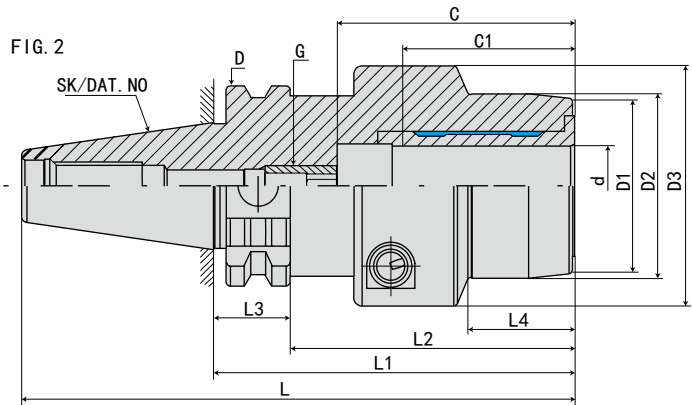
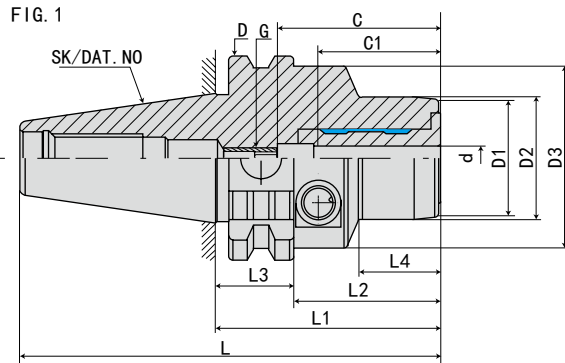


| 规格 Model | D 0 -0.4 | d1 | d2 ±0.05 | d3 0 -0.5 | d4 Max. | d5 H7 | d6 H12 | d7 | L1 0 -0.3 | L2 Min | L3 Min | L4 0 -0.4 | L5 0 -0.5 | L6 0 -0.3 | e1 ±0.1 | e2 Max. |
|-------------|----------------|-------|-------------|-----------------|------------|----------|-----------|----|-----------------|-----------|-----------|-----------------|-----------------|-----------------|------------|------------|
| SK30 | 50 | 31.75 | 59.30 | 44.30 | 45 | 13 | 16.1 | 4 | 47.8 | 33.5 | 24 | 19 | 16.4 | 15 | 21 | 5 |
| SK40 | 63.55 | 44.45 | 72.30 | 56.25 | 50 | 17 | 16.1 | 4 | 68.4 | 42.5 | 32 | 25 | 22.8 | 18.5 | 27 | 5 |
| SK50 | 97.50 | 69.85 | 107.25 | 91.25 | 80 | 25 | 25.7 | 6 | 101.75 | 61.5 | 47 | 37.7 | 35.5 | 30 | 42 | 7 |

特点:

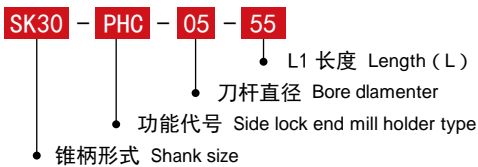
- 锥度精度：<AT3
- 基本材质：JIS-SCM415
- 硬度：HRC56° 渗碳深度 >0.8mm
- 真圆度：<0.8um
- 表面粗糙度：Ra<0.5um
- 刀柄本体可另外指定：通过 V 型法兰端出水规格（DIN-69871-AD+B）
- ER、FMA、FMB、MLT、SCK、SLN、SOM 皆符合：通过刀柄本体中心出水规格（DIN-69871-AD）
- 刀柄有预设标准动平衡 G6.3，可另外指定精密动平衡 G2.5
- 本体规范：DIN 69871

· SK30-PHC 液压刀柄 SK30-PHC HYDRAULIC TOOL HOLDER



| 型号 Model | L | L1 | L2 | L3 | L4 | D | D1 | D2 | D3 | d | 最大插入深度 C Max. insertion depth | 最少插入深度 C1 Min insertion depth | G | FIG | 重量 KGS |
|----------------|-------|-----|------|------|----|----|----|----|----|----|----------------------------------|----------------------------------|----------|-----|-----------|
| SK30-PHC05- 55 | 102.8 | 55 | 35.9 | 19.1 | 20 | 50 | 21 | 25 | 45 | 5 | * | 26 | * | 1 | 0.6 |
| -PHC06- 55 | 102.8 | 55 | 35.9 | 19.1 | 20 | 50 | 22 | 26 | 45 | 6 | 37 | 27 | M5*0.8P | 1 | 0.6 |
| -PHC08- 55 | 102.8 | 55 | 35.9 | 19.1 | 20 | 50 | 24 | 28 | 45 | 8 | 37 | 27 | M6*1.0P | 1 | 0.6 |
| -PHC10- 55 | 102.8 | 55 | 35.9 | 19.1 | 21 | 50 | 26 | 30 | 45 | 10 | 41 | 31 | M8*1.0P | 1 | 0.6 |
| -PHC12- 55 | 102.8 | 55 | 35.9 | 19.1 | 22 | 50 | 28 | 32 | 45 | 12 | 46 | 36 | M10*1.0P | 1 | 0.6 |
| -PHC14- 90 | 137.8 | 90 | 70.9 | 19.1 | 42 | 50 | 30 | 34 | 45 | 14 | 46 | 36 | M10*1.0P | 1 | 0.7 |
| -PHC16- 90 | 137.8 | 90 | 70.9 | 19.1 | 50 | 50 | 34 | 38 | 45 | 16 | 49 | 39 | M10*1.0P | 1 | 0.7 |
| -PHC18- 90 | 137.8 | 90 | 70.9 | 19.1 | 50 | 50 | 36 | 40 | 45 | 18 | 49 | 39 | M10*1.0P | 1 | 0.7 |
| -PHC20- 90 | 137.8 | 90 | 70.9 | 19.1 | 50 | 50 | 38 | 42 | 45 | 20 | 51 | 41 | M10*1.0P | 1 | 0.7 |
| -PHC25-115 | 157.8 | 110 | 95.9 | 19.1 | | 50 | 53 | 57 | 63 | 25 | 57 | 47 | M10*1.0P | 2 | 1 |
| -PHC32-115 | 157.8 | 110 | 95.9 | 19.1 | | 50 | 60 | 64 | 63 | 32 | 61 | 51 | M10*1.0P | 2 | 1 |

规格说明:



· SK40-PHC 液压刀柄 SK40-PHC HYDRAULIC TOOL HOLDER



FIG. 1

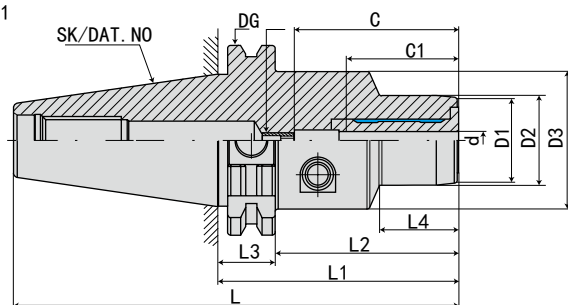
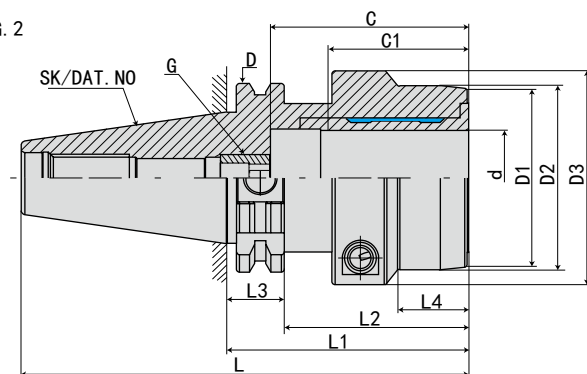


FIG. 2



| 型号 Model | L | L1 | L2 | L3 | L4 | D | D1 | D2 | D3 | d | 最大插入深度 C Max. insertion depth | 最少插入深度 C1 Min insertion depth | G | FIG | 重量 KGS |
|-----------------|-------|------|------|------|------|-------|----|----|------|-------|----------------------------------|----------------------------------|----------|-----|-----------|
| SK40-PHC03-80.5 | 148.9 | 80.5 | 61.4 | 19.1 | 29.5 | 63.55 | 20 | 23 | 49.5 | 3 | * | 18 | * | 1 | 1.3 |
| -PHC3.175-80.5 | 148.9 | 80.5 | 61.4 | 19.1 | 29.5 | 63.55 | 20 | 23 | 49.5 | 3.175 | * | 18 | * | 1 | 1.3 |
| -PHC04-80.5 | 148.9 | 80.5 | 61.4 | 19.1 | 29.5 | 63.55 | 21 | 24 | 49.5 | 4 | * | 24 | * | 1 | 1.3 |
| -PHC05-80.5 | 148.9 | 80.5 | 61.4 | 19.1 | 29.5 | 63.55 | 21 | 25 | 49.5 | 5 | * | 26 | * | 1 | 1.3 |
| -PHC06-80.5 | 148.9 | 80.5 | 61.4 | 19.1 | 29.5 | 63.55 | 22 | 26 | 49.5 | 6 | 37 | 27 | M5*0.8P | 1 | 1.3 |
| -PHC08-80.5 | 148.9 | 80.5 | 61.4 | 19.1 | 30 | 63.55 | 24 | 28 | 49.5 | 8 | 37 | 27 | M6*1.0P | 1 | 1.3 |
| -PHC10-80.5 | 148.9 | 80.5 | 61.4 | 19.1 | 31 | 63.55 | 26 | 30 | 49.5 | 10 | 41 | 31 | M8*1.0P | 1 | 1.3 |
| -PHC12-80.5 | 148.9 | 80.5 | 61.4 | 19.1 | 31.5 | 63.55 | 28 | 32 | 49.5 | 12 | 46 | 36 | M10*1.0P | 1 | 1.3 |
| -PHC14-80.5 | 148.9 | 80.5 | 61.4 | 19.1 | 33 | 63.55 | 30 | 34 | 49.5 | 14 | 46 | 36 | M10*1.0P | 1 | 1.3 |
| -PHC16-80.5 | 148.9 | 80.5 | 61.4 | 19.1 | 33 | 63.55 | 34 | 38 | 49.5 | 16 | 49 | 39 | M12*1.0P | 1 | 1.3 |
| -PHC18-80.5 | 148.9 | 80.5 | 61.4 | 19.1 | 34 | 63.55 | 36 | 40 | 49.5 | 18 | 49 | 39 | M12*1.0P | 1 | 1.3 |
| -PHC20-80.5 | 148.9 | 80.5 | 61.4 | 19.1 | 34 | 63.55 | 38 | 42 | 49.5 | 20 | 51 | 41 | M16*1.0P | 1 | 1.3 |
| -PHC25-80.5 | 148.9 | 80.5 | 61.4 | 19.1 | 22 | 63.55 | 53 | 55 | 63 | 25 | 57 | 47 | M16*1.0P | 2 | 1.6 |
| -PHC32-80.5 | 148.9 | 80.5 | 61.4 | 19.1 | 25.5 | 63.55 | 60 | 63 | 70 | 32 | 61 | 51 | M16*1.0P | 2 | 1.7 |

规格说明:

- SK40** - **PHC** - **03** - **80.5**
 • L1 长度 Length (L)
 • 刀杆直径 Bore diameter
 • 功能代号 Side lock end mill holder type
 • 锥柄形式 Shank size

· SK40-PHC 液压刀柄 SK40-PHC HYDRAULIC TOOL HOLDER



FIG. 1

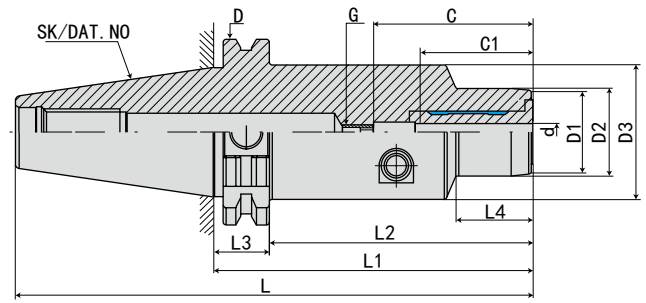
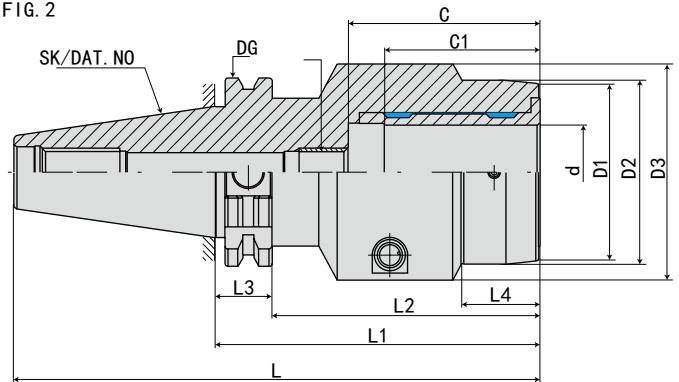
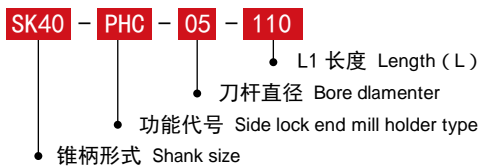


FIG. 2

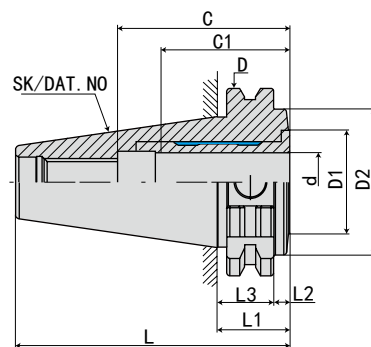


| 型号 Model | L | L1 | L2 | L3 | L4 | D | D1 | D2 | D3 | d | 最大插入深度 C Max. insertion depth | 最少插入深度 C1 Min insertion depth | G | FIG | 重量 KGS |
|----------------|-------|-----|------|------|------|-------|----|----|------|----|----------------------------------|----------------------------------|----------|-----|-----------|
| SK40-PHC05-110 | 178.4 | 110 | 90.9 | 19.1 | 29.5 | 63.55 | 21 | 25 | 49.5 | 5 | * | 26 | * | 1 | 1.7 |
| -PHC06-110 | 178.4 | 110 | 90.9 | 19.1 | 29.5 | 63.55 | 22 | 26 | 49.5 | 6 | 37 | 27 | M5*0.8P | 1 | 1.7 |
| -PHC08-110 | 178.4 | 110 | 90.9 | 19.1 | 30 | 63.55 | 24 | 28 | 49.5 | 8 | 37 | 27 | M6*1.0P | 1 | 1.8 |
| -PHC10-110 | 178.4 | 110 | 90.9 | 19.1 | 31 | 63.55 | 26 | 30 | 49.5 | 10 | 41 | 31 | M8*1.0P | 1 | 1.8 |
| -PHC12-110 | 178.4 | 110 | 90.9 | 19.1 | 31.5 | 63.55 | 28 | 32 | 49.5 | 12 | 46 | 36 | M10*1.0P | 1 | 1.8 |
| -PHC14-110 | 178.4 | 110 | 90.9 | 19.1 | 33 | 63.55 | 30 | 34 | 49.5 | 14 | 46 | 36 | M10*1.0P | 1 | 1.8 |
| -PHC16-110 | 178.4 | 110 | 90.9 | 19.1 | 33 | 63.55 | 34 | 38 | 49.5 | 16 | 49 | 39 | M12*1.0P | 1 | 1.8 |
| -PHC18-110 | 178.4 | 110 | 90.9 | 19.1 | 34 | 63.55 | 36 | 40 | 49.5 | 18 | 49 | 39 | M12*1.0P | 1 | 1.9 |
| -PHC20-110 | 178.4 | 110 | 90.9 | 19.1 | 34 | 63.55 | 38 | 42 | 49.5 | 20 | 51 | 41 | M16*1.0P | 1 | 1.9 |
| -PHC25-110 | 178.4 | 110 | 90.9 | 19.1 | 22 | 63.55 | 53 | 55 | 63 | 25 | 57 | 47 | M16*1.0P | 2 | 2.3 |
| -PHC32-110 | 178.4 | 110 | 90.9 | 19.1 | 25.5 | 63.55 | 60 | 63 | 70 | 32 | 61 | 51 | M16*1.0P | 2 | 2.4 |

规格说明:



· SK40-PHC 液压刀柄 SK40-PHC HYDRAULIC TOOL HOLDER

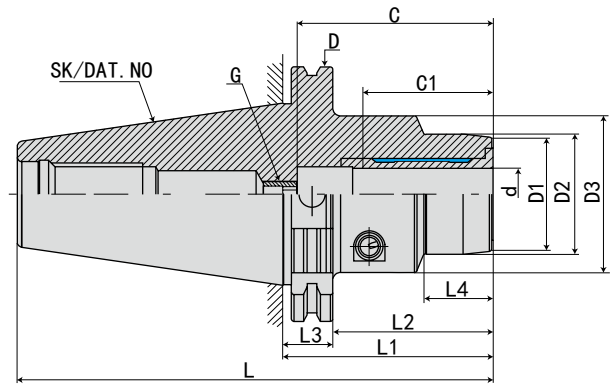


| 型号 Model | L | L1 | L2 | L3 | D | D1 | D2 | d | 最大插入深度 C Max. insertion depth | 最少插入深度 C1 Min insertion depth | G | 重量 KGS |
|-----------------|----|------|-----|------|-------|----|------|----|----------------------------------|----------------------------------|----------|--------|
| SK40-PHC20-24.6 | 93 | 24.6 | 5.5 | 19.1 | 63.55 | 34 | 49.5 | 20 | 51 | 41 | M16*1.0P | 0.6 |

规格说明:

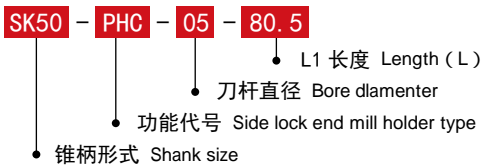
- SK40 - PHC - 20 - 24.6
- SK40 锥柄形式 Shank size
 - PHC 功能代号 Side lock end mill holder type
 - 20 刀杆直径 Bore diameter
 - 24.6 L1 长度 Length (L)

· SK50- PHC 液压刀柄 SK50- PHC HYDRAULIC TOOL HOLDER

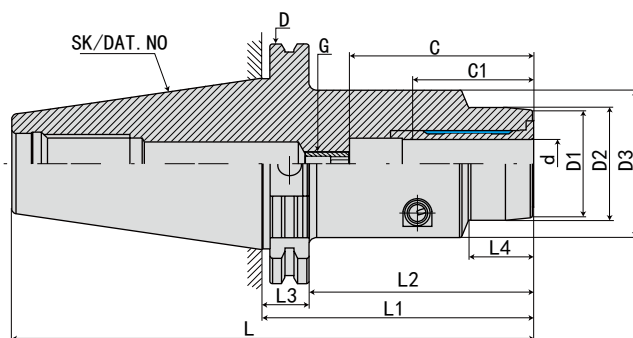


| 型号 Model | L | L1 | L2 | L3 | L4 | D | D1 | D2 | D3 | d | 最大插入深度 C Max. insertion depth | 最少插入深度 C1 Min insertion depth | G | 重量 KGS |
|-------------------|--------|------|------|------|------|------|----|----|------|----|----------------------------------|----------------------------------|----------|-----------|
| SK50- PHC05- 80.5 | 182.25 | 80.5 | 61.4 | 19.1 | 29.5 | 97.5 | 21 | 25 | 49.5 | 5 | * | 26 | * | 3.2 |
| - PHC06- 80.5 | 182.25 | 80.5 | 61.4 | 19.1 | 29.5 | 97.5 | 22 | 26 | 49.5 | 6 | 37 | 27 | M5*0.8P | 3.2 |
| - PHC08- 80.5 | 182.25 | 80.5 | 61.4 | 19.1 | 30 | 97.5 | 24 | 28 | 49.5 | 8 | 37 | 27 | M6*1.0P | 3.3 |
| - PHC10- 80.5 | 182.25 | 80.5 | 61.4 | 19.1 | 35 | 97.5 | 26 | 30 | 49.5 | 10 | 41 | 31 | M8*1.0P | 3.3 |
| - PHC12- 80.5 | 182.25 | 80.5 | 61.4 | 19.1 | 40 | 97.5 | 28 | 32 | 49.5 | 12 | 46 | 36 | M10*1.0P | 3.3 |
| - PHC14- 80.5 | 182.25 | 80.5 | 61.4 | 19.1 | 40 | 97.5 | 30 | 34 | 49.5 | 14 | 46 | 36 | M10*1.0P | 3.3 |
| - PHC16- 80.5 | 182.25 | 80.5 | 61.4 | 19.1 | 45 | 97.5 | 34 | 38 | 49.5 | 16 | 49 | 39 | M12*1.0P | 3.3 |
| - PHC18- 80.5 | 182.25 | 80.5 | 61.4 | 19.1 | 46 | 97.5 | 36 | 40 | 49.5 | 18 | 49 | 39 | M12*1.0P | 3.3 |
| - PHC20- 80.5 | 182.25 | 80.5 | 61.4 | 19.1 | 42 | 97.5 | 38 | 42 | 49.5 | 20 | 51 | 41 | M16*1.0P | 3.3 |
| - PHC25- 100 | 201.75 | 80.5 | 61.4 | 19.1 | 48 | 97.5 | 53 | 55 | 63 | 25 | 57 | 47 | M16*1.0P | 3.8 |
| - PHC32- 100 | 201.75 | 80.5 | 61.4 | 19.1 | 61 | 97.5 | 60 | 63 | 70 | 32 | 61 | 51 | M16*1.0P | 4.2 |

规格说明:

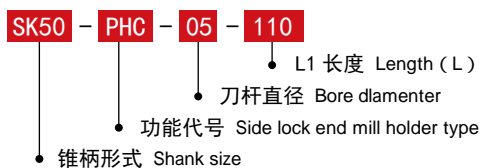


· SK50-PHC 液压刀柄 SK50-PHC HYDRAULIC TOOL HOLDER

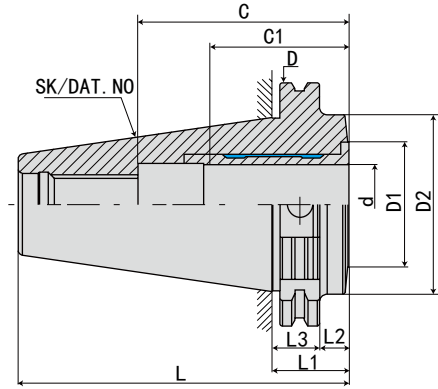


| 型号 Model | L | L1 | L2 | L3 | L4 | D | D1 | D2 | D3 | d | 最大插入深度 C Max. insertion depth | 最少插入深度 C1 Min insertion depth | G | 重量 KGS |
|----------------|--------|-----|------|------|----|------|----|----|------|----|----------------------------------|----------------------------------|----------|-----------|
| SK50-PHC05-110 | 211.75 | 110 | 90.9 | 19.1 | 29 | 97.5 | 21 | 25 | 49.5 | 5 | * | 26 | * | 2.5 |
| -PHC06-110 | 211.75 | 110 | 90.9 | 19.1 | 29 | 97.5 | 22 | 26 | 49.5 | 6 | 37 | 27 | M5*0.8P | 2.5 |
| -PHC08-110 | 211.75 | 110 | 90.9 | 19.1 | 30 | 97.5 | 24 | 28 | 49.5 | 8 | 37 | 27 | M6*1.0P | 3 |
| -PHC10-110 | 211.75 | 110 | 90.9 | 19.1 | 35 | 97.5 | 26 | 30 | 49.5 | 10 | 41 | 31 | M8*1.0P | 3 |
| -PHC12-110 | 211.75 | 110 | 90.9 | 19.1 | 40 | 97.5 | 28 | 32 | 49.5 | 12 | 46 | 36 | M10*1.0P | 5 |
| -PHC14-110 | 211.75 | 110 | 90.9 | 19.1 | 40 | 97.5 | 30 | 34 | 49.5 | 14 | 46 | 36 | M10*1.0P | 5 |
| -PHC16-110 | 211.75 | 110 | 90.9 | 19.1 | 45 | 97.5 | 34 | 38 | 49.5 | 16 | 49 | 39 | M12*1.0P | 5 |
| -PHC18-110 | 211.75 | 110 | 90.9 | 19.1 | 46 | 97.5 | 36 | 40 | 49.5 | 18 | 49 | 39 | M12*1.0P | 5 |
| -PHC20-110 | 211.75 | 110 | 90.9 | 19.1 | 42 | 97.5 | 38 | 42 | 49.5 | 20 | 51 | 41 | M16*1.0P | 8 |
| -PHC25-110 | 211.75 | 110 | 90.9 | 19.1 | 48 | 97.5 | 53 | 55 | 63 | 25 | 57 | 47 | M16*1.0P | 8 |
| -PHC32-110 | 211.75 | 110 | 90.9 | 19.1 | 61 | 97.5 | 60 | 63 | 70 | 32 | 61 | 51 | M16*1.0P | 8 |

规格说明:

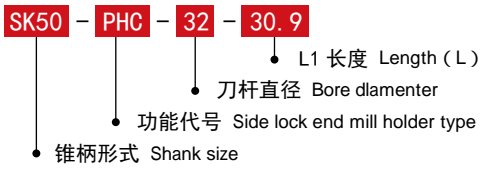


· SK50-PHC 液压刀柄 SK50-PHC HYDRAULIC TOOL HOLDER

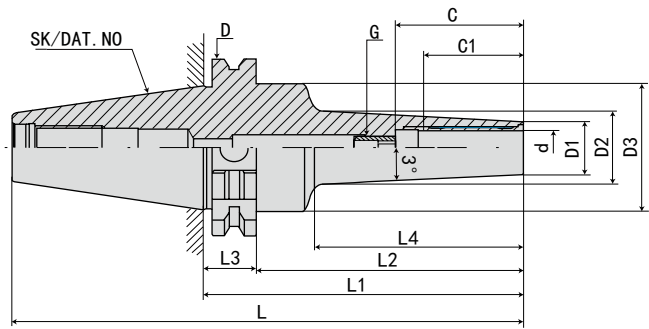


| 型号 Model | L | L1 | L2 | L3 | D | D1 | D2 | d | 最大插入深度 C Max. insertion depth | 最少插入深度 C1 Min insertion depth | G | 重量 KGS |
|-----------------|--------|------|------|------|------|------|------|----|----------------------------------|----------------------------------|----------|--------|
| SK50-PHC32-30.9 | 132.65 | 30.9 | 11.8 | 19.1 | 97.5 | 44.5 | 70.5 | 32 | 62.5 | 51 | M16*1.0P | 2.5 |

规格说明:



· SK40-SPHC 液压刀柄 SK40-SPHC HYDRAULIC TOOL HOLDER



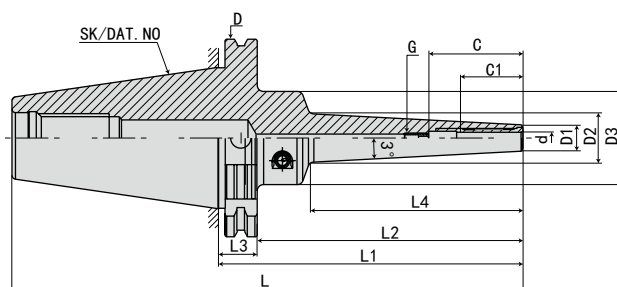
| 型号 Model | L | L1 | L2 | L3 | L4 | D | D1 | D2 | D3 | d | 最大插入深度 C Max. insertion depth | 最少插入深度 C1 Min insertion depth | G | 重量 KGS |
|-----------------|-------|-----|-------|------|-----|-------|----|----|----|----|----------------------------------|----------------------------------|----------|-----------|
| SK40-SPHC03- 85 | 153.4 | 85 | 65.9 | 19.1 | 42 | 63.55 | 11 | | 46 | 3 | * | 18 | * | 1.3 |
| - 115 | 183.4 | 115 | 95.9 | 19.1 | 72 | 63.55 | 11 | | 46 | 3 | * | 18 | * | 1.4 |
| SK40-SPHC04- 85 | 153.4 | 85 | 65.9 | 19.1 | 42 | 63.55 | 11 | | 46 | 4 | * | 24 | * | 1.3 |
| - 115 | 183.4 | 115 | 95.9 | 19.1 | 72 | 63.55 | 11 | | 46 | 4 | * | 24 | * | 1.4 |
| -SPHC05- 85 | 153.4 | 85 | 65.9 | 19.1 | 42 | 63.55 | 12 | | 46 | 5 | * | 26 | * | 1.3 |
| - 115 | 183.4 | 115 | 95.9 | 19.1 | 72 | 63.55 | 12 | | 46 | 5 | * | 26 | * | 1.4 |
| -SPHC06-115 | 183.4 | 115 | 95.9 | 19.1 | 74 | 63.55 | 13 | | 46 | 6 | 37 | 27 | M5*0.8P | 1.4 |
| - 145 | 213.4 | 145 | 125.9 | 19.1 | 104 | 63.55 | 13 | | 46 | 6 | 37 | 27 | M5*0.8P | 1.5 |
| -SPHC08-115 | 183.4 | 115 | 95.9 | 19.1 | 74 | 63.55 | 15 | | 46 | 8 | 37 | 27 | M6*1.0P | 1.4 |
| - 145 | 213.4 | 145 | 125.9 | 19.1 | 104 | 63.55 | 15 | | 46 | 8 | 37 | 27 | M6*1.0P | 1.5 |
| -SPHC10-115 | 183.4 | 115 | 95.9 | 19.1 | 74 | 63.55 | 17 | | 46 | 10 | 41 | 31 | M8*1.0P | 1.4 |
| - 145 | 213.4 | 145 | 125.9 | 19.1 | 104 | 63.55 | 17 | | 46 | 10 | 41 | 31 | M8*1.0P | 1.5 |
| -SPHC12-115 | 183.4 | 115 | 95.9 | 19.1 | 74 | 63.55 | 19 | | 46 | 12 | 46 | 36 | M10*1.0P | 1.4 |
| - 145 | 213.4 | 145 | 125.9 | 19.1 | 104 | 63.55 | 19 | | 46 | 12 | 46 | 36 | M10*1.0P | 1.5 |
| -SPHC14-115 | 183.4 | 115 | 95.9 | 19.1 | 74 | 63.55 | 21 | | 46 | 14 | 46 | 36 | M10*1.0P | 1.6 |
| - 145 | 213.4 | 145 | 125.9 | 19.1 | 104 | 63.55 | 21 | | 46 | 14 | 46 | 36 | M10*1.0P | 1.8 |
| -SPHC16-115 | 183.4 | 115 | 95.9 | 19.1 | 74 | 63.55 | 23 | | 50 | 16 | 49 | 39 | M12*1.0P | 1.7 |
| - 145 | 213.4 | 145 | 125.9 | 19.1 | 104 | 63.55 | 23 | | 50 | 16 | 49 | 39 | M12*1.0P | 1.9 |
| -SPHC18-115 | 183.4 | 115 | 95.9 | 19.1 | 74 | 63.55 | 25 | | 50 | 18 | 49 | 39 | M12*1.0P | 1.7 |
| - 145 | 213.4 | 145 | 125.9 | 19.1 | 104 | 63.55 | 25 | | 50 | 18 | 49 | 39 | M12*1.0P | 1.9 |
| -SPHC20-115 | 183.4 | 115 | 95.9 | 19.1 | 74 | 63.55 | 27 | | 50 | 20 | 51 | 41 | M16*1.0P | 1.8 |
| - 145 | 213.4 | 145 | 125.9 | 19.1 | 104 | 63.55 | 27 | | 50 | 20 | 51 | 41 | M16*1.0P | 2 |

规格说明:

SK40 - SPHC - 03 - 85

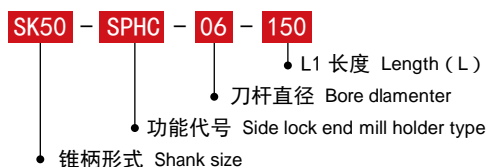
- L1 长度 Length (L)
- 刀杆直径 Bore diameter
- 功能代号 Side lock end mill holder type
- 锥柄形式 Shank size

· SK50-SPHC 液压刀柄 SK50-SPHC HYDRAULIC TOOL HOLDER

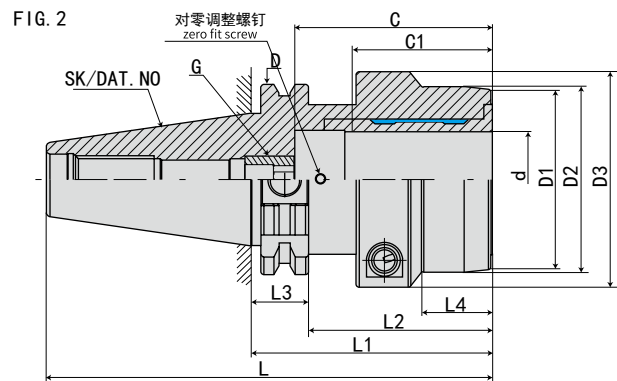
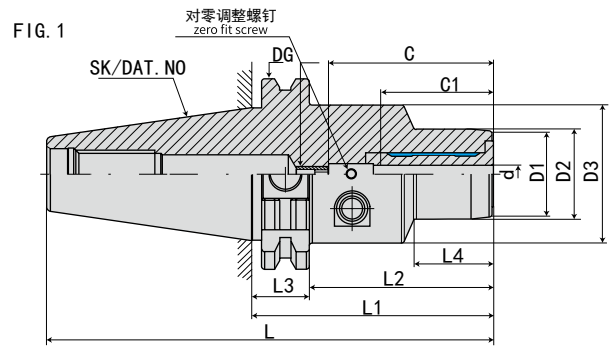


| 型号 Model | L | L1 | L2 | L3 | L4 | D | D1 | D2 | D3 | d | 最大插入深度 C Max. insertion depth | 最少插入深度 C1 Min insertion depth | G | 重量 KGS |
|-----------------|--------|-----|-------|------|-----|------|----|----|----|----|----------------------------------|----------------------------------|----------|-----------|
| SK50-SPHC06-150 | 251.75 | 150 | 130.9 | 19.1 | 100 | 97.5 | 13 | | 50 | 6 | 37 | 27 | M5*0.8P | 4.2 |
| -200 | 301.75 | 200 | 180.9 | 19.1 | 150 | 97.5 | 13 | | 50 | 6 | 37 | 27 | M5*0.8P | 4.4 |
| -250 | 351.75 | 250 | 230.9 | 19.1 | 200 | 97.5 | 13 | | 50 | 6 | 37 | 27 | M5*0.8P | 4.6 |
| -300 | 401.75 | 300 | 280.9 | 19.1 | 250 | 97.5 | 13 | | 50 | 6 | 37 | 27 | M5*0.8P | 4.8 |
| -SPHC08-150 | 251.75 | 150 | 130.9 | 19.1 | 100 | 97.5 | 15 | | 50 | 8 | 37 | 27 | M6*1.0P | 4.2 |
| -200 | 301.75 | 200 | 180.9 | 19.1 | 150 | 97.5 | 15 | | 50 | 8 | 37 | 27 | M6*1.0P | 4.4 |
| -250 | 351.75 | 250 | 230.9 | 19.1 | 200 | 97.5 | 15 | | 50 | 8 | 37 | 27 | M6*1.0P | 4.6 |
| -300 | 401.75 | 300 | 280.9 | 19.1 | 250 | 97.5 | 15 | | 50 | 8 | 37 | 27 | M6*1.0P | 4.8 |
| -SPHC10-150 | 251.75 | 150 | 130.9 | 19.1 | 100 | 97.5 | 17 | | 50 | 10 | 41 | 31 | M8*1.0P | 4.3 |
| -200 | 301.75 | 200 | 180.9 | 19.1 | 150 | 97.5 | 17 | | 50 | 10 | 41 | 31 | M8*1.0P | 4.5 |
| -250 | 351.75 | 250 | 230.9 | 19.1 | 200 | 97.5 | 17 | | 50 | 10 | 41 | 31 | M8*1.0P | 4.7 |
| -300 | 401.75 | 300 | 280.9 | 19.1 | 250 | 97.5 | 17 | | 50 | 10 | 41 | 31 | M8*1.0P | 4.9 |
| -SPHC12-150 | 251.75 | 150 | 130.9 | 19.1 | 100 | 97.5 | 19 | | 50 | 12 | 46 | 36 | M10*1.0P | 4.3 |
| -200 | 301.75 | 200 | 180.9 | 19.1 | 150 | 97.5 | 19 | | 50 | 12 | 46 | 36 | M10*1.0P | 4.5 |
| -250 | 351.75 | 250 | 230.9 | 19.1 | 200 | 97.5 | 19 | | 50 | 12 | 46 | 36 | M10*1.0P | 4.7 |
| -300 | 401.75 | 300 | 280.9 | 19.1 | 250 | 97.5 | 19 | | 50 | 12 | 46 | 36 | M10*1.0P | 4.9 |
| -SPHC14-150 | 251.75 | 150 | 130.9 | 19.1 | 100 | 97.5 | 21 | | 50 | 14 | 46 | 36 | M10*1.0P | 4.4 |
| -200 | 301.75 | 200 | 180.9 | 19.1 | 150 | 97.5 | 21 | | 50 | 14 | 46 | 36 | M10*1.0P | 4.6 |
| -250 | 351.75 | 250 | 230.9 | 19.1 | 200 | 97.5 | 21 | | 50 | 14 | 46 | 36 | M10*1.0P | 4.8 |
| -300 | 401.75 | 300 | 280.9 | 19.1 | 250 | 97.5 | 21 | | 50 | 14 | 46 | 36 | M10*1.0P | 5 |
| -SPHC16-150 | 251.75 | 150 | 130.9 | 19.1 | 100 | 97.5 | 23 | | 50 | 16 | 75 | 39 | M12*1.0P | 4.4 |
| -200 | 301.75 | 200 | 180.9 | 19.1 | 150 | 97.5 | 23 | | 50 | 16 | 75 | 39 | M12*1.0P | 4.6 |
| -250 | 351.75 | 250 | 230.9 | 19.1 | 200 | 97.5 | 23 | | 50 | 16 | 75 | 39 | M12*1.0P | 4.8 |
| -300 | 401.75 | 300 | 280.9 | 19.1 | 250 | 97.5 | 23 | | 50 | 16 | 75 | 39 | M12*1.0P | 5 |
| -SPHC18-150 | 251.75 | 150 | 130.9 | 19.1 | 100 | 97.5 | 25 | | 50 | 18 | 75 | 39 | M12*1.0P | 4.5 |
| -200 | 301.75 | 200 | 180.9 | 19.1 | 150 | 97.5 | 25 | | 50 | 18 | 75 | 39 | M12*1.0P | 4.7 |
| -250 | 351.75 | 250 | 230.9 | 19.1 | 200 | 97.5 | 25 | | 50 | 18 | 75 | 39 | M12*1.0P | 4.9 |
| -300 | 401.75 | 300 | 280.9 | 19.1 | 250 | 97.5 | 25 | | 50 | 18 | 75 | 39 | M12*1.0P | 5.1 |
| -SPHC20-150 | 251.75 | 150 | 130.9 | 19.1 | 100 | 97.5 | 27 | | 50 | 20 | 75 | 41 | M16*1.0P | 4.6 |
| -200 | 301.75 | 200 | 180.9 | 19.1 | 150 | 97.5 | 27 | | 50 | 20 | 75 | 41 | M16*1.0P | 4.8 |
| -250 | 351.75 | 250 | 230.9 | 19.1 | 200 | 97.5 | 27 | | 50 | 20 | 75 | 41 | M16*1.0P | 5 |
| -300 | 401.75 | 300 | 280.9 | 19.1 | 250 | 97.5 | 27 | | 50 | 20 | 75 | 41 | M16*1.0P | 5.2 |

规格说明:



· SK40-ZPHC 调零液压刀柄 SK40-ZPHC ZERO FIT HYDRAULIC TOOL HOLDER



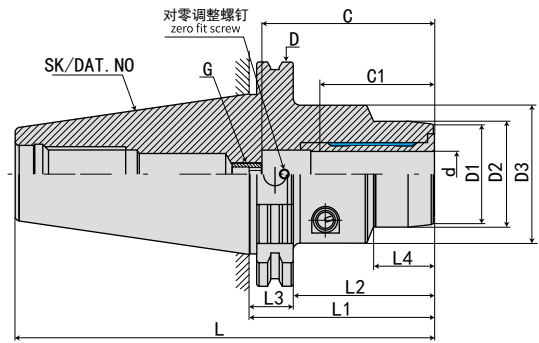
| 型号 Model | L | L1 | L2 | L3 | L4 | D | D1 | D2 | D3 | d | 最大插入深度 C Max. insertion depth | 最少插入深度 C1 Min insertion depth | G | FIG | 重量 KGS |
|------------------|-------|------|------|------|------|-------|----|----|------|----|----------------------------------|----------------------------------|----------|-----|-----------|
| SK40-ZPHC12-80.5 | 148.9 | 80.5 | 61.4 | 19.1 | 31.5 | 63.55 | 28 | 32 | 49.5 | 12 | 46 | 36 | M10*1.0P | 1 | 1.4 |
| -ZPHC16-80.5 | 148.9 | 80.5 | 61.4 | 19.1 | 33 | 63.55 | 34 | 38 | 49.5 | 16 | 49 | 39 | M12*1.0P | 1 | 1.4 |
| -ZPHC20-80.5 | 148.9 | 80.5 | 61.4 | 19.1 | 34 | 63.55 | 38 | 42 | 49.5 | 20 | 51 | 41 | M16*1.0P | 1 | 1.4 |
| -ZPHC32-80.5 | 148.9 | 80.5 | 61.4 | 19.1 | 25.5 | 63.55 | 60 | 63 | 80 | 32 | 61 | 51 | M16*1.0P | 2 | 2 |

规格说明:

SK40 - ZPHC - 12 - 80.5

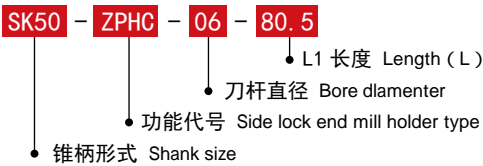
- L1 长度 Length (L)
- 刀杆直径 Bore diameter
- 功能代号 Side lock end mill holder type
- 锥柄形式 Shank size

· SK50-ZPHC 调零液压刀柄 SK40-ZPHC ZERO FIT HYDRAULIC TOOL HOLDER

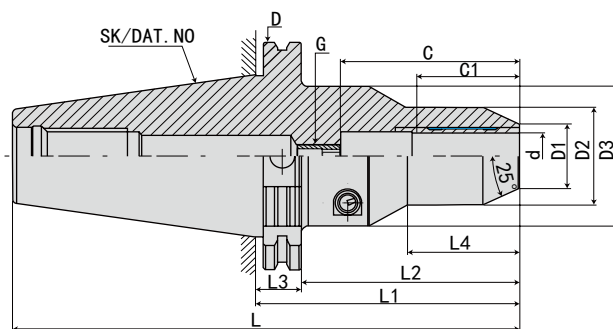


| 型号 Model | L | L1 | L2 | L3 | L4 | D | D1 | D2 | D3 | d | 最大插入深度 C Max. insertion depth | 最少插入深度 C1 Min insertion depth | G | 重量 KGS |
|------------------|--------|------|------|------|------|------|----|----|------|----|----------------------------------|----------------------------------|----------|-----------|
| SK50-ZPHC06-80.5 | 182.25 | 80.5 | 61.4 | 19.1 | 29.5 | 97.5 | 22 | 26 | 49.5 | 6 | 37 | 27 | M5*0.8P | 3.2 |
| -ZPHC08-80.5 | 182.25 | 80.5 | 61.4 | 19.1 | 30 | 97.5 | 24 | 28 | 49.5 | 8 | 37 | 27 | M6*1.0P | 3.3 |
| -ZPHC10-80.5 | 182.25 | 80.5 | 61.4 | 19.1 | 35 | 97.5 | 26 | 30 | 49.5 | 10 | 41 | 31 | M8*1.0P | 3.3 |
| -ZPHC12-80.5 | 182.25 | 80.5 | 61.4 | 19.1 | 40 | 97.5 | 28 | 32 | 49.5 | 12 | 46 | 36 | M10*1.0P | 3.3 |
| -ZPHC14-80.5 | 182.25 | 80.5 | 61.4 | 19.1 | 40 | 97.5 | 30 | 34 | 49.5 | 14 | 46 | 36 | M10*1.0P | 3.3 |
| -ZPHC16-80.5 | 182.25 | 80.5 | 61.4 | 19.1 | 45 | 97.5 | 34 | 38 | 49.5 | 16 | 49 | 39 | M12*1.0P | 3.3 |
| -ZPHC18-80.5 | 182.25 | 80.5 | 61.4 | 19.1 | 46 | 97.5 | 36 | 40 | 49.5 | 18 | 49 | 39 | M12*1.0P | 3.3 |
| -ZPHC20-80.5 | 182.25 | 80.5 | 61.4 | 19.1 | 42 | 97.5 | 38 | 42 | 49.5 | 20 | 51 | 41 | M16*1.0P | 3.3 |
| -ZPHC25-100 | 201.75 | 80.5 | 61.4 | 19.1 | 48 | 97.5 | 53 | 55 | 63 | 25 | 57 | 47 | M16*1.0P | 3.8 |
| -ZPHC32-100 | 201.75 | 80.5 | 61.4 | 19.1 | 61 | 97.5 | 60 | 63 | 70 | 32 | 61 | 51 | M16*1.0P | 4.2 |

规格说明:

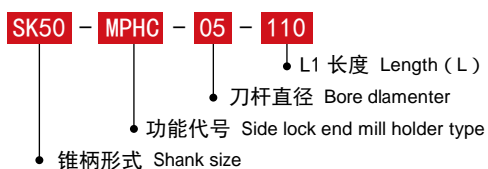


· SK50-MPHC 液压刀柄 SK50-MPHC HYDRAULIC TOOL HOLDER

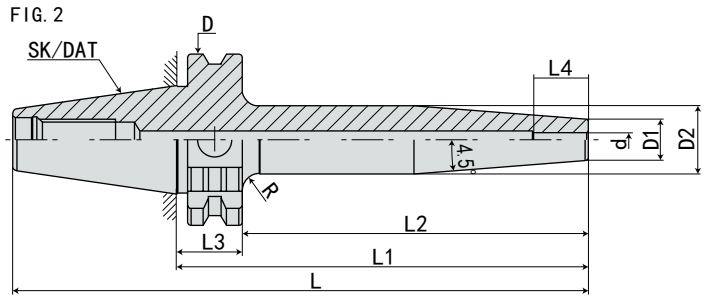
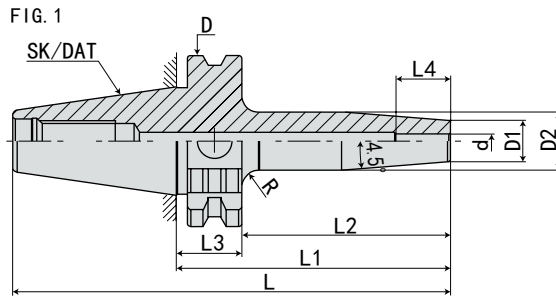


| 型号 Model | L | L1 | L2 | L3 | L4 | D | D1 | D2 | D3 | d | 最大插入深度 C Max. insertion depth | 最少插入深度 C1 Min insertion depth | G | 重量 KGS |
|-----------------|--------|-----|------|------|----|------|----|------|----|----|----------------------------------|----------------------------------|----------|-----------|
| SK50-MPHC05-110 | 211.75 | 110 | 90.9 | 19.1 | 55 | 97.5 | 13 | 31 | 60 | 5 | * | 26 | * | 3.6 |
| -MPHC06-110 | 211.75 | 110 | 90.9 | 19.1 | 55 | 97.5 | 14 | 32 | 60 | 6 | 43 | 27 | M5*0.8P | 3.6 |
| -MPHC08-110 | 211.75 | 110 | 90.9 | 19.1 | 55 | 97.5 | 16 | 33.5 | 60 | 8 | 43 | 27 | M6*1.0P | 3.6 |
| -MPHC10-110 | 211.75 | 110 | 90.9 | 19.1 | 55 | 97.5 | 18 | 35 | 60 | 10 | 43 | 31 | M8*1.0P | 3.6 |
| -MPHC12-110 | 211.75 | 110 | 90.9 | 19.1 | 55 | 97.5 | 20 | 36.5 | 60 | 12 | 50 | 36 | M10*1.0P | 3.6 |
| -MPHC14-110 | 211.75 | 110 | 90.9 | 19.1 | 60 | 97.5 | 22 | 38 | 60 | 14 | 50 | 36 | M10*1.0P | 3.7 |
| -MPHC16-110 | 211.75 | 110 | 90.9 | 19.1 | 60 | 97.5 | 24 | 39.5 | 60 | 16 | 53 | 39 | M12*1.0P | 3.7 |
| -MPHC18-110 | 211.75 | 110 | 90.9 | 19.1 | 60 | 97.5 | 27 | 41 | 60 | 18 | 53 | 39 | M12*1.0P | 3.8 |
| -MPHC20-110 | 211.75 | 110 | 90.9 | 19.1 | 60 | 97.5 | 28 | 42 | 70 | 20 | 95 | 41 | M16*1.0P | 3.8 |
| -MPHC25-110 | 211.75 | 110 | 90.9 | 19.1 | 60 | 97.5 | 30 | 44 | 70 | 25 | 95 | 47 | M16*1.0P | 3.9 |
| -MPHC32-110 | 211.75 | 110 | 90.9 | 19.1 | 60 | 97.5 | 40 | 54 | 70 | 32 | 95 | 51 | M16*1.0P | 4 |

规格说明:



·SK30-SF热缩刀柄(4.5°标准型) SK30-SF SHRINK FIT TOOL HOLDER(4.5° STANDARD VERSION)



| 规格 Model | L | L1 | L2 | L3 | L4 | D | D1 | D2 | d | R | FIG | 重量 KGS |
|---------------|-------|-----|-------|------|----|----|----|----|---|---|-----|--------|
| SK30-SF03- 80 | 127.8 | 80 | 60.9 | 19.1 | 12 | 50 | 12 | 17 | 3 | 5 | 1 | 0.6 |
| -120 | 167.8 | 120 | 100.9 | 19.1 | 12 | 50 | 12 | 20 | 3 | 5 | 2 | 0.8 |
| -SF04- 80 | 127.8 | 80 | 60.9 | 19.1 | 16 | 50 | 12 | 17 | 4 | 5 | 1 | 0.6 |
| -120 | 167.8 | 120 | 100.9 | 19.1 | 16 | 50 | 12 | 20 | 4 | 5 | 2 | 0.8 |
| -SF05- 80 | 127.8 | 80 | 60.9 | 19.1 | 18 | 50 | 12 | 17 | 5 | 5 | 1 | 0.6 |
| -120 | 167.8 | 120 | 100.9 | 19.1 | 18 | 50 | 12 | 20 | 5 | 5 | 2 | 0.8 |

规格说明:

- SK30 - SF - 03 - 80
- SK30: 锥柄形式 Shank size
 - SF: 功能代号 Side lock end mill holder type
 - 03: 刀杆直径 Bore diameter
 - 80: L1 长度 Length (L)

·SK30-SF 热缩刀柄(4.5° 标准型) SK30-SF SHRINK FIT TOOL HOLDER(4.5° STANDARD VERSION)



FIG. 1

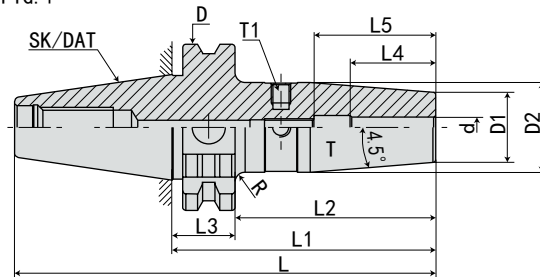
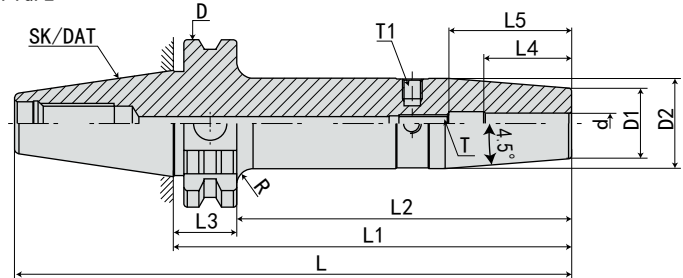


FIG. 2



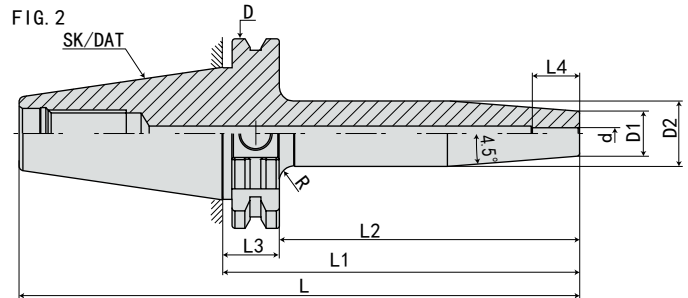
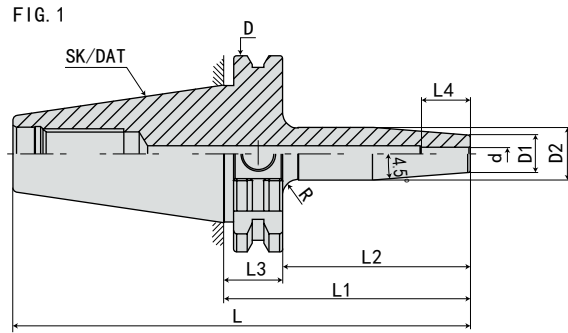
| 规格 Model | L | L1 | L2 | L3 | L4 | L5 | D | D1 | D2 | d | T | T1 | R | FIG | 重量 KGS |
|---------------|-------|-----|-------|------|----|----|----|----|----|----|----------|---------|---|-----|--------|
| SK30-SF06- 80 | 127.8 | 80 | 60.9 | 19.1 | 26 | 36 | 50 | 21 | 27 | 6 | M5*0.8P | M6*1.0P | 3 | 1 | 0.6 |
| -120 | 167.8 | 120 | 100.9 | 19.1 | 26 | 36 | 50 | 21 | 27 | 6 | M5*0.8P | M6*1.0P | 5 | 2 | 0.8 |
| -SF08- 80 | 127.8 | 80 | 60.9 | 19.1 | 26 | 36 | 50 | 21 | 27 | 8 | M6*1.0P | M6*1.0P | 3 | 1 | 0.65 |
| -120 | 167.8 | 120 | 100.9 | 19.1 | 26 | 36 | 50 | 21 | 27 | 8 | M6*1.0P | M6*1.0P | 5 | 2 | 0.85 |
| -SF10- 80 | 127.8 | 80 | 60.9 | 19.1 | 32 | 42 | 50 | 24 | 32 | 10 | M8*1.0P | M6*1.0P | 1 | 1 | 0.7 |
| -120 | 167.8 | 120 | 100.9 | 19.1 | 32 | 42 | 50 | 24 | 32 | 10 | M8*1.0P | M6*1.0P | 4 | 2 | 0.9 |
| -SF12- 80 | 127.8 | 80 | 60.9 | 19.1 | 37 | 47 | 50 | 24 | 32 | 12 | M10*1.0P | M6*1.0P | 1 | 1 | 0.7 |
| -120 | 167.8 | 120 | 100.9 | 19.1 | 37 | 47 | 50 | 24 | 32 | 12 | M10*1.0P | M6*1.0P | 4 | 2 | 0.9 |
| -SF14- 80 | 127.8 | 80 | 60.9 | 19.1 | 37 | 47 | 50 | 27 | 34 | 14 | M10*1.0P | M6*1.0P | 1 | 1 | 0.75 |
| -120 | 167.8 | 120 | 100.9 | 19.1 | 37 | 47 | 50 | 27 | 34 | 14 | M10*1.0P | M6*1.0P | 3 | 2 | 0.95 |
| -SF16- 80 | 127.8 | 80 | 60.9 | 19.1 | 40 | 50 | 50 | 27 | 34 | 16 | M12*1.0P | M6*1.0P | 1 | 1 | 0.75 |
| -120 | 167.8 | 120 | 100.9 | 19.1 | 40 | 50 | 50 | 27 | 34 | 16 | M12*1.0P | M6*1.0P | 3 | 2 | 0.95 |
| -SF18- 80 | 127.8 | 80 | 60.9 | 19.1 | 40 | 50 | 50 | 33 | 42 | 18 | M12*1.0P | M6*1.0P | 1 | 1 | 0.8 |
| -120 | 167.8 | 120 | 100.9 | 19.1 | 40 | 50 | 50 | 33 | 42 | 18 | M12*1.0P | M6*1.0P | 1 | 2 | 1 |
| -SF20- 80 | 127.8 | 80 | 60.9 | 19.1 | 42 | 52 | 50 | 33 | 42 | 20 | M16*1.0P | M6*1.0P | 1 | 1 | 0.8 |
| -120 | 167.8 | 120 | 100.9 | 19.1 | 42 | 52 | 50 | 33 | 42 | 20 | M16*1.0P | M6*1.0P | 1 | 2 | 1 |

规格说明:

SK30 - SF - 06 - 80

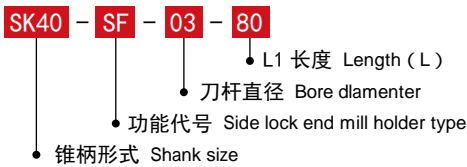
- L1 长度 Length (L)
- 刀杆直径 Bore diameter
- 功能代号 Side lock end mill holder type
- 锥柄形式 Shank size

·SK40-SF热缩刀柄(4.5°标准型) SK40-SF SHRINK FIT TOOL HOLDER(4.5° STANDARD VERSION)



| 规格 Mode | L | L1 | L2 | L3 | L4 | D | D1 | D2 | d | R | FIG | 重量 KGS |
|---------------|-------|-----|-------|------|----|-------|----|----|---|---|-----|--------|
| SK40-SF03- 80 | 148.4 | 80 | 60.9 | 19.1 | 12 | 63.55 | 12 | 17 | 3 | 5 | 1 | 1 |
| -120 | 188.4 | 120 | 100.9 | 19.1 | 12 | 63.55 | 12 | 20 | 3 | 5 | 2 | 1.1 |
| -160 | 228.4 | 160 | 140.9 | 19.1 | 12 | 63.55 | 12 | 20 | 3 | 5 | 2 | 1.2 |
| -SF04- 80 | 148.4 | 80 | 60.9 | 19.1 | 16 | 63.55 | 12 | 17 | 4 | 5 | 1 | 1 |
| -120 | 188.4 | 120 | 100.9 | 19.1 | 16 | 63.55 | 15 | 22 | 4 | 5 | 2 | 1.1 |
| -160 | 228.4 | 160 | 140.9 | 19.1 | 16 | 63.55 | 15 | 22 | 4 | 5 | 2 | 1.2 |
| -SF05- 80 | 148.4 | 80 | 60.9 | 19.1 | 18 | 63.55 | 12 | 17 | 5 | 5 | 1 | 1 |
| -120 | 188.4 | 120 | 100.9 | 19.1 | 18 | 63.55 | 15 | 22 | 5 | 5 | 2 | 1.1 |
| -160 | 228.4 | 160 | 140.9 | 19.1 | 18 | 63.55 | 15 | 22 | 5 | 5 | 2 | 1.2 |

规格说明:



·SK40-SF热缩刀柄(4.5°标准型) SK40-SF SHRINK FIT TOOL HOLDER(4.5° STANDARD VERSION)



FIG. 1

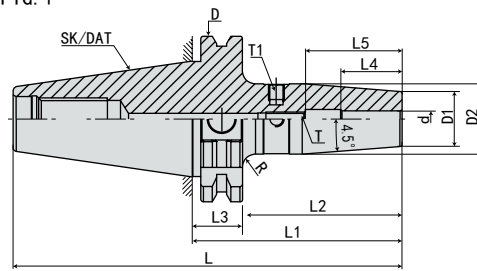


FIG. 2

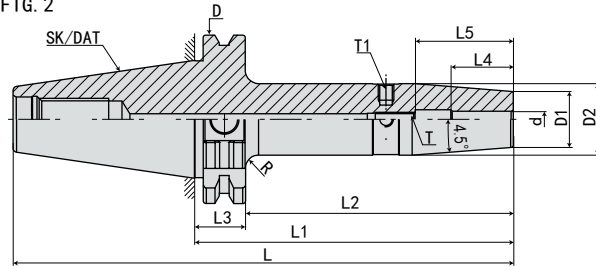
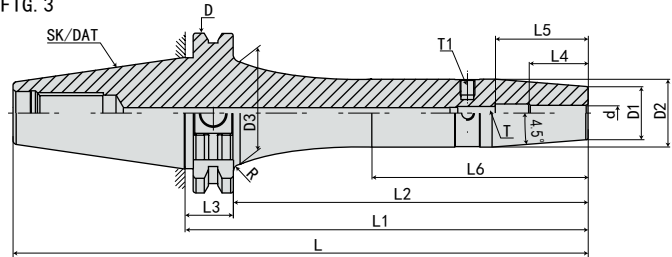


FIG. 3



| 规格 Model | L | L1 | L2 | L3 | L4 | L5 | L6 | D | D1 | D2 | D3 | d | T | T1 | R | FIG | 重量 KGS |
|---------------|-------|-----|-------|------|----|----|-----|-------|----|----|----|----|----------|---------|----|-----|--------|
| SK40-SF06- 80 | 148.4 | 80 | 60.9 | 19.1 | 26 | 36 | - | 63.55 | 21 | 27 | - | 6 | M5*0.8P | M6*1.0P | 5 | 1 | 1.2 |
| -120 | 188.4 | 120 | 100.9 | 19.1 | 26 | 36 | - | 63.55 | 21 | 27 | - | 6 | M5*0.8P | M6*1.0P | 10 | 2 | 1.5 |
| -160 | 228.4 | 160 | 140.9 | 19.1 | 26 | 36 | 78 | 63.55 | 21 | 27 | 41 | 6 | M5*0.8P | M6*1.0P | 5 | 3 | 1.8 |
| -200 | 268.4 | 200 | 180.9 | 19.1 | 26 | 36 | 118 | 63.55 | 21 | 27 | 41 | 6 | M5*0.8P | M6*1.0P | 5 | 3 | 2.2 |
| -SF08- 80 | 148.4 | 80 | 60.9 | 19.1 | 26 | 36 | - | 63.55 | 21 | 27 | - | 8 | M6*1.0P | M6*1.0P | 5 | 1 | 1.2 |
| -120 | 188.4 | 120 | 100.9 | 19.1 | 26 | 36 | - | 63.55 | 21 | 27 | - | 8 | M6*1.0P | M6*1.0P | 10 | 2 | 1.5 |
| -160 | 228.4 | 160 | 140.9 | 19.1 | 26 | 36 | 78 | 63.55 | 21 | 27 | 41 | 8 | M6*1.0P | M6*1.0P | 5 | 3 | 1.8 |
| -200 | 268.4 | 200 | 180.9 | 19.1 | 26 | 36 | 118 | 63.55 | 21 | 27 | 41 | 8 | M6*1.0P | M6*1.0P | 5 | 3 | 2.2 |
| -SF10- 80 | 148.4 | 80 | 60.9 | 19.1 | 32 | 42 | - | 63.55 | 24 | 32 | - | 10 | M8*1.0P | M6*1.0P | 2 | 1 | 1.3 |
| -120 | 188.4 | 120 | 100.9 | 19.1 | 32 | 42 | - | 63.55 | 24 | 32 | - | 10 | M8*1.0P | M6*1.0P | 10 | 2 | 1.6 |
| -160 | 228.4 | 160 | 140.9 | 19.1 | 32 | 42 | 78 | 63.55 | 24 | 32 | 40 | 10 | M8*1.0P | M6*1.0P | 5 | 3 | 1.9 |
| -200 | 268.4 | 200 | 180.9 | 19.1 | 32 | 42 | 118 | 63.55 | 24 | 32 | 40 | 10 | M8*1.0P | M6*1.0P | 5 | 3 | 2.3 |
| -SF12- 80 | 148.4 | 80 | 60.9 | 19.1 | 37 | 47 | - | 63.55 | 24 | 32 | - | 12 | M10*1.0P | M6*1.0P | 2 | 1 | 1.3 |
| -120 | 188.4 | 120 | 100.9 | 19.1 | 37 | 47 | - | 63.55 | 24 | 32 | - | 12 | M10*1.0P | M6*1.0P | 10 | 2 | 1.6 |
| -160 | 228.4 | 160 | 140.9 | 19.1 | 37 | 47 | 78 | 63.55 | 24 | 32 | 40 | 12 | M10*1.0P | M6*1.0P | 5 | 3 | 1.9 |
| -200 | 268.4 | 200 | 180.9 | 19.1 | 37 | 47 | 118 | 63.55 | 24 | 32 | 40 | 12 | M10*1.0P | M6*1.0P | 5 | 3 | 2.3 |
| -SF14- 80 | 148.4 | 80 | 60.9 | 19.1 | 37 | 47 | - | 63.55 | 27 | 34 | - | 14 | M10*1.0P | M6*1.0P | 4 | 1 | 1.3 |
| -120 | 188.4 | 120 | 100.9 | 19.1 | 37 | 47 | - | 63.55 | 27 | 34 | - | 14 | M10*1.0P | M6*1.0P | 10 | 2 | 1.6 |
| -160 | 228.4 | 160 | 140.9 | 19.1 | 37 | 47 | 78 | 63.55 | 27 | 34 | 42 | 14 | M10*1.0P | M6*1.0P | 3 | 3 | 1.9 |
| -200 | 268.4 | 200 | 180.9 | 19.1 | 37 | 47 | 118 | 63.55 | 27 | 34 | 42 | 14 | M10*1.0P | M6*1.0P | 3 | 3 | 2.3 |

规格说明:

- SK40 - SF - 06 - 80**
 SK40: 锥柄形式 Shank size
 SF: 功能代号 Side lock end mill holder type
 06: 刀杆直径 Bore diameter
 80: L1 长度 Length (L)

· SK40-SF 热缩刀柄(4.5° 标准型) SK40-SF SHRINK FIT TOOL HOLDER(4.5° STANDARD VERSION)



FIG. 1

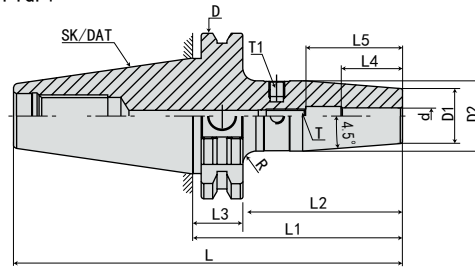


FIG. 2

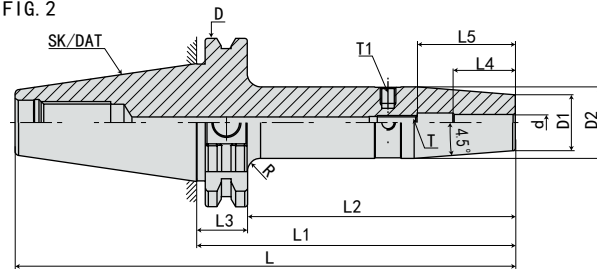
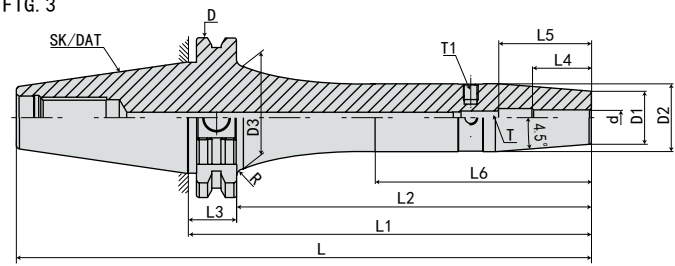
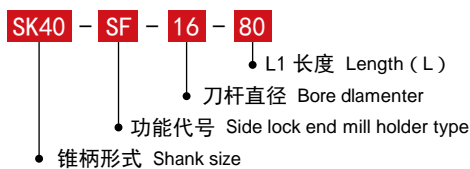


FIG. 3

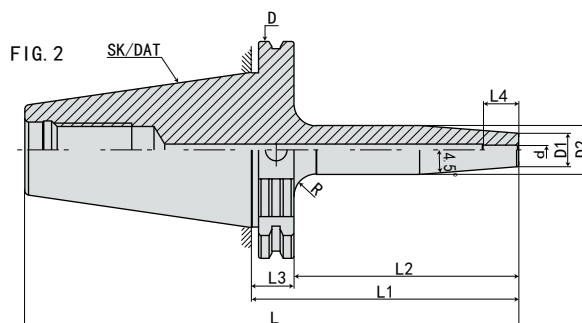
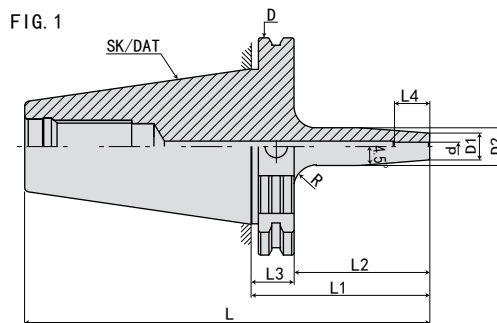


| 规格 Model | L | L1 | L2 | L3 | L4 | L5 | L6 | D | D1 | D2 | D3 | d | T | T1 | R | FIG | 重量 KGS |
|---------------|-------|-----|-------|------|----|----|-----|-------|----|----|----|----|----------|---------|----|-----|--------|
| SK40-SF16- 80 | 148.4 | 80 | 60.9 | 19.1 | 40 | 50 | - | 63.55 | 27 | 34 | - | 16 | M12*1.0P | M6*1.0P | 3 | 1 | 1.3 |
| -120 | 188.4 | 120 | 100.9 | 19.1 | 40 | 50 | - | 63.55 | 27 | 34 | - | 16 | M12*1.0P | M6*1.0P | 10 | 2 | 1.6 |
| -160 | 228.4 | 160 | 140.9 | 19.1 | 40 | 50 | 78 | 63.55 | 27 | 34 | 42 | 16 | M12*1.0P | M6*1.0P | 3 | 3 | 1.9 |
| -200 | 268.4 | 200 | 180.9 | 19.1 | 40 | 50 | 118 | 63.55 | 27 | 34 | 42 | 16 | M12*1.0P | M6*1.0P | 3 | 3 | 2.3 |
| -SF18- 80 | 148.4 | 80 | 60.9 | 19.1 | 40 | 50 | - | 63.55 | 33 | 42 | - | 18 | M12*1.0P | M6*1.0P | 2 | 1 | 1.4 |
| -120 | 188.4 | 120 | 100.9 | 19.1 | 40 | 50 | - | 63.55 | 33 | 42 | - | 18 | M12*1.0P | M6*1.0P | 5 | 2 | 1.8 |
| -160 | 228.4 | 160 | 140.9 | 19.1 | 40 | 50 | - | 63.55 | 33 | 42 | - | 18 | M12*1.0P | M6*1.0P | 5 | 2 | 2.1 |
| -200 | 268.4 | 200 | 180.9 | 19.1 | 40 | 50 | - | 63.55 | 33 | 42 | - | 18 | M12*1.0P | M6*1.0P | 5 | 2 | 2.4 |
| -SF20- 80 | 148.4 | 80 | 60.9 | 19.1 | 42 | 52 | - | 63.55 | 33 | 42 | - | 20 | M16*1.0P | M6*1.0P | 2 | 1 | 1.4 |
| -120 | 188.4 | 120 | 100.9 | 19.1 | 42 | 52 | - | 63.55 | 33 | 42 | - | 20 | M16*1.0P | M6*1.0P | 5 | 2 | 1.8 |
| -160 | 228.4 | 160 | 140.9 | 19.1 | 42 | 52 | - | 63.55 | 33 | 42 | - | 20 | M16*1.0P | M6*1.0P | 5 | 2 | 2.1 |
| -200 | 268.4 | 200 | 180.9 | 19.1 | 42 | 52 | - | 63.55 | 33 | 42 | - | 20 | M16*1.0P | M6*1.0P | 5 | 2 | 2.4 |
| -SF25-100 | 168.4 | 100 | 80.9 | 19.1 | 48 | 58 | - | 63.55 | 44 | 53 | - | 25 | M16*1.0P | M6*1.0P | 2 | 1 | 2.1 |
| -120 | 188.4 | 120 | 100.9 | 19.1 | 48 | 58 | - | 63.55 | 44 | 53 | - | 25 | M16*1.0P | M6*1.0P | 2 | 2 | 2.3 |
| -160 | 228.4 | 160 | 140.9 | 19.1 | 48 | 58 | - | 63.55 | 44 | 53 | - | 25 | M16*1.0P | M6*1.0P | 2 | 2 | 2.6 |
| -200 | 268.4 | 200 | 180.9 | 19.1 | 48 | 58 | - | 63.55 | 44 | 53 | - | 25 | M16*1.0P | M6*1.0P | 2 | 2 | 3.1 |
| -SF32-100 | 168.4 | 100 | 80.9 | 19.1 | 52 | 62 | - | 63.55 | 44 | 53 | - | 32 | M16*1.0P | M6*1.0P | 2 | 1 | 2.1 |
| -120 | 188.4 | 120 | 100.9 | 19.1 | 52 | 62 | - | 63.55 | 44 | 53 | - | 32 | M16*1.0P | M6*1.0P | 2 | 2 | 2.3 |
| -160 | 228.4 | 160 | 140.9 | 19.1 | 52 | 62 | - | 63.55 | 44 | 53 | - | 32 | M16*1.0P | M6*1.0P | 2 | 2 | 2.6 |
| -200 | 268.4 | 200 | 180.9 | 19.1 | 52 | 62 | - | 63.55 | 44 | 53 | - | 32 | M16*1.0P | M6*1.0P | 2 | 2 | 3.1 |

规格说明:



·SK50-SF 热缩刀柄(4.5° 标准型) SK50-SF SHRINK FIT TOOL HOLDER(4.5° STANDARD VERSION)



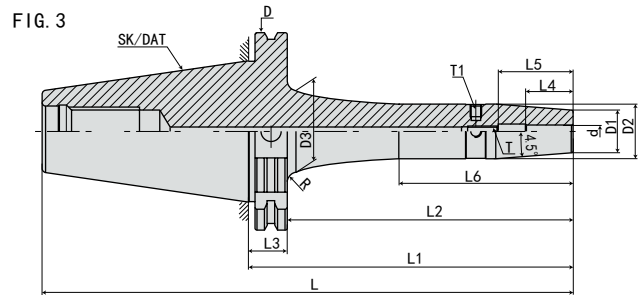
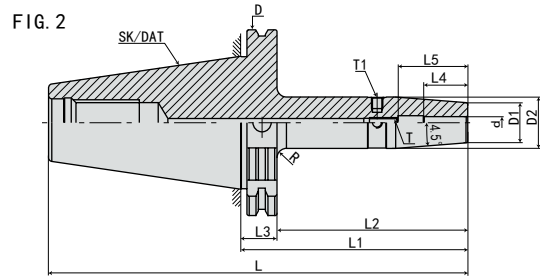
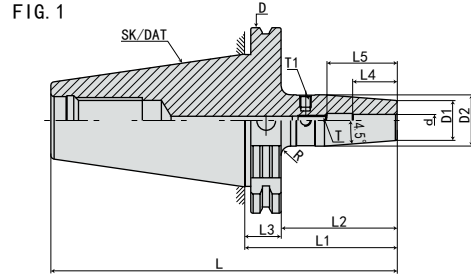
| 规格 Mode | L | L1 | L2 | L3 | L4 | D | D1 | D2 | d | R | FIG | 重量 KGS |
|---------------|--------|-----|-------|------|----|------|----|----|---|---|-----|--------|
| SK50-SF03- 80 | 181.75 | 80 | 60.9 | 19.1 | 12 | 97.5 | 12 | 17 | 3 | 5 | 1 | 2.8 |
| -120 | 221.75 | 120 | 100.9 | 19.1 | 12 | 97.5 | 12 | 20 | 3 | 5 | 2 | 2.9 |
| -160 | 261.75 | 160 | 140.9 | 19.1 | 12 | 97.5 | 12 | 20 | 3 | 5 | 2 | 3 |
| -SF04-80 | 181.75 | 80 | 60.9 | 19.1 | 16 | 97.5 | 12 | 17 | 4 | 5 | 1 | 2.8 |
| -120 | 221.75 | 120 | 100.9 | 19.1 | 16 | 97.5 | 15 | 22 | 4 | 5 | 2 | 2.9 |
| -160 | 261.75 | 160 | 140.9 | 19.1 | 16 | 97.5 | 15 | 22 | 4 | 5 | 2 | 3 |
| -SF05-80 | 181.75 | 80 | 60.9 | 19.1 | 18 | 97.5 | 12 | 17 | 5 | 5 | 1 | 2.8 |
| -120 | 221.75 | 120 | 100.9 | 19.1 | 18 | 97.5 | 15 | 22 | 5 | 5 | 2 | 2.9 |
| -160 | 261.75 | 160 | 140.9 | 19.1 | 18 | 97.5 | 15 | 22 | 5 | 5 | 2 | 3 |

规格说明:

SK50 - SF - 03 - 80

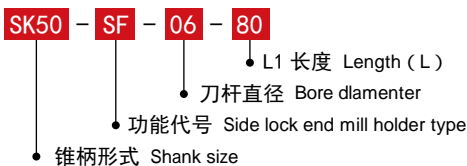
- L1 长度 Length (L)
- 刀杆直径 Bore diameter
- 功能代号 Side lock end mill holder type
- 锥柄形式 Shank size

·SK50-SF热缩刀柄(4.5°标准型) SK50-SF SHRINK FIT TOOL HOLDER(4.5° STANDARD VERSION)



| 规格 Model | L | L1 | L2 | L3 | L4 | L5 | L6 | D | D1 | D2 | D3 | d | T | T1 | FIG | 重量 KGS |
|---------------|--------|-----|-------|------|----|----|-----|------|----|----|----|----|----------|---------|-----|--------|
| SK50-SF06- 80 | 181.75 | 80 | 60.9 | 19.1 | 26 | 36 | | 97.5 | 21 | 27 | - | 6 | M5*0.8P | M6*1.0P | 1 | 2.8 |
| -SF06-120 | 221.75 | 120 | 100.9 | 19.1 | 26 | 36 | | 97.5 | 21 | 27 | - | 6 | M5*0.8P | M6*1.0P | 2 | 2.9 |
| -160 | 261.75 | 160 | 140.9 | 19.1 | 26 | 36 | 78 | 97.5 | 21 | 27 | 41 | 6 | M5*0.8P | M6*1.0P | 3 | 3 |
| -200 | 301.75 | 200 | 180.9 | 19.1 | 26 | 36 | 118 | 97.5 | 21 | 27 | 41 | 6 | M5*0.8P | M6*1.0P | 3 | 3.1 |
| -SF08- 80 | 181.75 | 80 | 60.9 | 19.1 | 26 | 36 | | 97.5 | 21 | 27 | - | 8 | M6*1.0P | M6*1.0P | 1 | 2.8 |
| -120 | 221.75 | 120 | 100.9 | 19.1 | 26 | 36 | | 97.5 | 21 | 27 | - | 8 | M6*1.0P | M6*1.0P | 2 | 2.9 |
| -160 | 261.75 | 160 | 140.9 | 19.1 | 26 | 36 | 78 | 97.5 | 21 | 27 | 41 | 8 | M6*1.0P | M6*1.0P | 3 | 3 |
| -200 | 301.75 | 200 | 180.9 | 19.1 | 26 | 36 | 118 | 97.5 | 21 | 27 | 41 | 8 | M6*1.0P | M6*1.0P | 3 | 3.1 |
| -SF10- 80 | 181.75 | 80 | 60.9 | 19.1 | 32 | 42 | | 97.5 | 24 | 32 | - | 10 | M8*1.0P | M6*1.0P | 1 | 2.8 |
| -120 | 221.75 | 120 | 100.9 | 19.1 | 32 | 42 | | 97.5 | 24 | 32 | - | 10 | M8*1.0P | M6*1.0P | 2 | 2.9 |
| -160 | 261.75 | 160 | 140.9 | 19.1 | 32 | 42 | 78 | 97.5 | 24 | 32 | 40 | 10 | M8*1.0P | M6*1.0P | 3 | 3 |
| -200 | 301.75 | 200 | 180.9 | 19.1 | 32 | 42 | 118 | 97.5 | 24 | 32 | 40 | 10 | M8*1.0P | M6*1.0P | 3 | 3.1 |
| -SF12- 80 | 181.75 | 80 | 60.9 | 19.1 | 37 | 47 | | 97.5 | 24 | 32 | - | 12 | M10*1.0P | M6*1.0P | 1 | 2.9 |
| -120 | 221.75 | 120 | 100.9 | 19.1 | 37 | 47 | | 97.5 | 24 | 32 | - | 12 | M10*1.0P | M6*1.0P | 2 | 3 |
| -160 | 261.75 | 160 | 140.9 | 19.1 | 37 | 47 | 78 | 97.5 | 24 | 32 | 40 | 12 | M10*1.0P | M6*1.0P | 3 | 3.1 |
| -200 | 301.75 | 200 | 180.9 | 19.1 | 37 | 47 | 118 | 97.5 | 24 | 32 | 40 | 12 | M10*1.0P | M6*1.0P | 3 | 3.2 |
| -SF14- 80 | 181.75 | 80 | 60.9 | 19.1 | 37 | 47 | | 97.5 | 27 | 34 | - | 14 | M10*1.0P | M6*1.0P | 1 | 2.9 |
| -120 | 221.75 | 120 | 100.9 | 19.1 | 37 | 47 | | 97.5 | 27 | 34 | - | 14 | M10*1.0P | M6*1.0P | 2 | 3 |
| -160 | 261.75 | 160 | 140.9 | 19.1 | 37 | 47 | 78 | 97.5 | 27 | 34 | 42 | 14 | M10*1.0P | M6*1.0P | 3 | 3.1 |
| -200 | 301.75 | 200 | 180.9 | 19.1 | 37 | 47 | 118 | 97.5 | 27 | 34 | 42 | 14 | M10*1.0P | M6*1.0P | 3 | 3.2 |

规格说明:



·SK50-SF 热缩刀柄(4.5°标准型) SK50-SF SHRINK FIT TOOL HOLDER (4.5° STANDARD VERSION)



FIG. 1

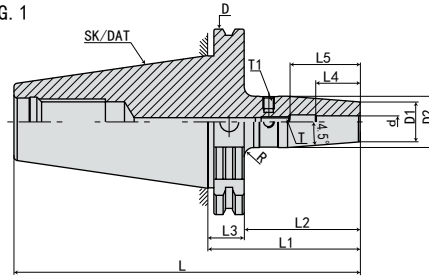


FIG. 2

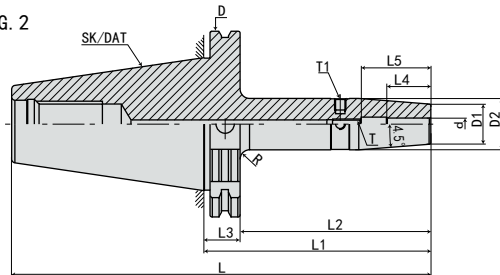
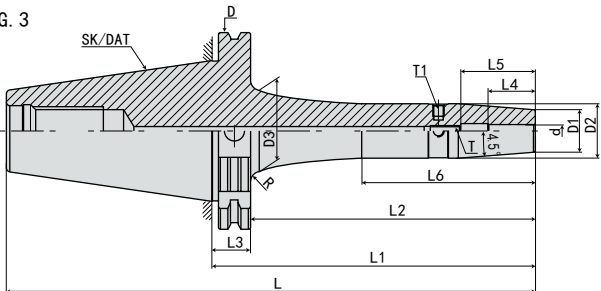


FIG. 3



| 规格 Model | L | L1 | L2 | L3 | L4 | L5 | L6 | D | D1 | D2 | D3 | d | T | T1 | FIG | 重量 KGS |
|---------------|--------|-----|-------|------|----|----|-----|------|----|----|----|----|----------|---------|-----|--------|
| SK50-SF16- 80 | 181.75 | 80 | 60.9 | 19.1 | 40 | 50 | | 97.5 | 27 | 34 | - | 16 | M12*1.0P | M6*1.0P | 1 | 3.1 |
| - 120 | 221.75 | 120 | 100.9 | 19.1 | 40 | 50 | | 97.5 | 27 | 34 | - | 16 | M12*1.0P | M6*1.0P | 2 | 3.3 |
| - 160 | 261.75 | 160 | 140.9 | 19.1 | 40 | 50 | 78 | 97.5 | 27 | 34 | 42 | 16 | M12*1.0P | M6*1.0P | 3 | 3.5 |
| - 200 | 301.75 | 200 | 180.9 | 19.1 | 40 | 50 | 118 | 97.5 | 27 | 34 | 42 | 16 | M12*1.0P | M6*1.0P | 3 | 3.7 |
| -SF18- 80 | 181.75 | 80 | 60.9 | 19.1 | 40 | 50 | | 97.5 | 33 | 42 | - | 18 | M12*1.0P | M6*1.0P | 1 | 3.1 |
| - 120 | 221.75 | 120 | 100.9 | 19.1 | 40 | 50 | | 97.5 | 33 | 42 | - | 18 | M12*1.0P | M6*1.0P | 2 | 3.3 |
| - 160 | 261.75 | 160 | 140.9 | 19.1 | 40 | 50 | | 97.5 | 33 | 42 | | 18 | M12*1.0P | M6*1.0P | 3 | 3.5 |
| - 200 | 301.75 | 200 | 180.9 | 19.1 | 40 | 50 | | 97.5 | 33 | 42 | | 18 | M12*1.0P | M6*1.0P | 3 | 3.7 |
| -SF20- 80 | 181.75 | 80 | 60.9 | 19.1 | 42 | 52 | | 97.5 | 33 | 42 | - | 20 | M16*1.0P | M6*1.0P | 1 | 3.3 |
| - 120 | 221.75 | 120 | 100.9 | 19.1 | 42 | 52 | | 97.5 | 33 | 42 | - | 20 | M16*1.0P | M6*1.0P | 2 | 3.5 |
| - 160 | 261.75 | 160 | 140.9 | 19.1 | 42 | 52 | | 97.5 | 33 | 42 | | 20 | M16*1.0P | M6*1.0P | 3 | 3.7 |
| - 200 | 301.75 | 200 | 180.9 | 19.1 | 42 | 52 | | 97.5 | 33 | 42 | | 20 | M16*1.0P | M6*1.0P | 3 | 3.9 |
| -SF25-100 | 201.75 | 100 | 80.9 | 19.1 | 48 | 58 | | 97.5 | 44 | 53 | - | 25 | M16*1.0P | M6*1.0P | 1 | 3.3 |
| - 120 | 221.75 | 120 | 100.9 | 19.1 | 48 | 58 | | 97.5 | 44 | 53 | - | 25 | M16*1.0P | M6*1.0P | 2 | 3.5 |
| - 160 | 261.75 | 160 | 140.9 | 19.1 | 48 | 58 | | 97.5 | 44 | 53 | | 25 | M16*1.0P | M6*1.0P | 3 | 3.7 |
| - 200 | 301.75 | 200 | 180.9 | 19.1 | 48 | 58 | | 97.5 | 44 | 53 | | 25 | M16*1.0P | M6*1.0P | 3 | 3.9 |
| -SF32-100 | 201.75 | 100 | 80.9 | 19.1 | 52 | 62 | | 97.5 | 44 | 53 | - | 32 | M16*1.0P | M6*1.0P | 1 | 3.4 |
| - 120 | 221.75 | 120 | 100.9 | 19.1 | 52 | 62 | | 97.5 | 44 | 53 | - | 32 | M16*1.0P | M6*1.0P | 2 | 3.6 |
| - 160 | 261.75 | 160 | 140.9 | 19.1 | 52 | 62 | | 97.5 | 44 | 53 | | 32 | M16*1.0P | M6*1.0P | 3 | 3.8 |
| - 200 | 301.75 | 200 | 180.9 | 19.1 | 52 | 62 | | 97.5 | 44 | 53 | | 32 | M16*1.0P | M6*1.0P | 3 | 4 |

规格说明:

SK50 - SF - 16 - 80

- L1 长度 Length (L)
- 刀杆直径 Bore diameter
- 功能代号 Side lock end mill holder type
- 锥柄形式 Shank size

· SK30-SFS 热缩刀柄(3°细长型) SK30-SFS SHRINK FIT TOOL HOLDER (3° SLENDER TYPE)

FIG. 1

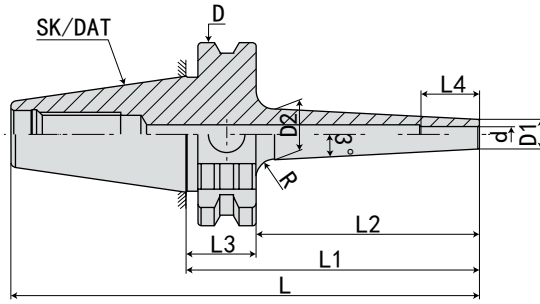
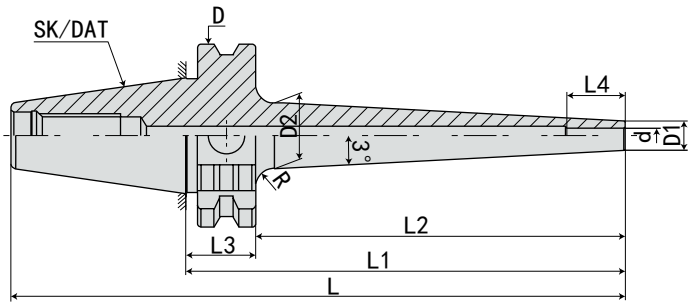
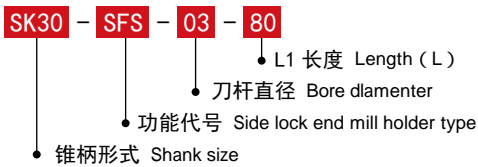


FIG. 2

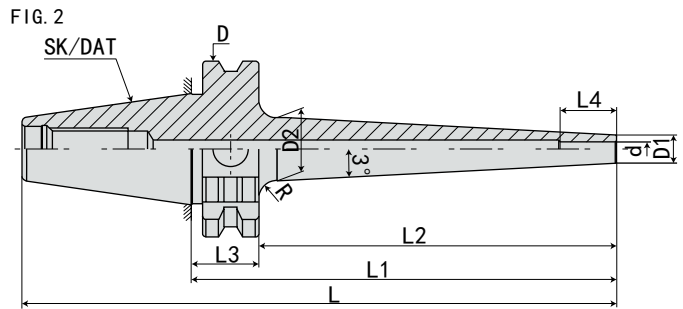
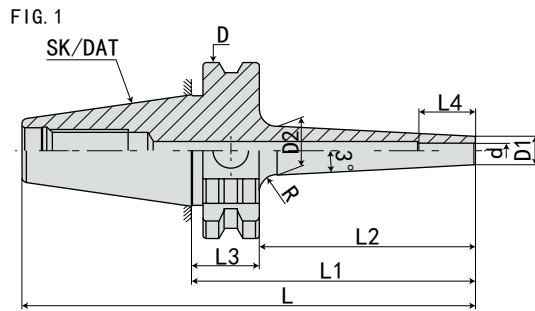


| 规格 Mode | L | L1 | L2 | L3 | L4 | D | D1 | D2 | d | R | FIG | 重量 KGS |
|----------------|-------|-----|-------|------|----|----|----|----|---|---|-----|--------|
| SK30-SFS03- 80 | 127.8 | 80 | 60.9 | 19.1 | 12 | 50 | 7 | 13 | 3 | 5 | 1 | 0.6 |
| -120 | 167.8 | 120 | 100.9 | 19.1 | 12 | 50 | 7 | 17 | 3 | 5 | 2 | 0.9 |
| -SFS04- 80 | 127.8 | 80 | 60.9 | 19.1 | 16 | 50 | 8 | 14 | 4 | 5 | 1 | 0.6 |
| -120 | 167.8 | 120 | 100.9 | 19.1 | 16 | 50 | 8 | 18 | 4 | 5 | 2 | 0.9 |
| -SFS05- 80 | 127.8 | 80 | 60.9 | 19.1 | 18 | 50 | 9 | 15 | 5 | 5 | 1 | 0.6 |
| -120 | 167.8 | 120 | 100.9 | 19.1 | 18 | 50 | 9 | 19 | 5 | 5 | 2 | 0.9 |

规格说明:



· SK30-SFS 热缩刀柄(3°细长型) SK30-SFS SHRINK FIT TOOL HOLDER (3° SLENDER TYPE)



| 规格 Model | L | L1 | L2 | L3 | L4 | L5 | D | D1 | D2 | d | T | R | FIG | 重量 KGS |
|----------------|-------|-----|-------|------|----|----|----|----|----|----|----------|---|-----|--------|
| SK30-SFS06- 80 | 127.8 | 80 | 60.9 | 19.1 | 26 | 36 | 50 | 10 | 16 | 6 | M5*0.8P | 5 | 1 | 0.7 |
| -120 | 167.8 | 120 | 100.9 | 19.1 | 26 | 36 | 50 | 10 | 20 | 6 | M5*0.8P | 5 | 2 | 1 |
| -SFS08- 80 | 127.8 | 80 | 60.9 | 19.1 | 26 | 36 | 50 | 12 | 16 | 8 | M6*1.0P | 5 | 1 | 0.7 |
| -120 | 167.8 | 120 | 100.9 | 19.1 | 26 | 36 | 50 | 12 | 20 | 8 | M6*1.0P | 5 | 2 | 1 |
| -SFS10- 80 | 127.8 | 80 | 60.9 | 19.1 | 32 | 42 | 50 | 14 | 16 | 10 | M8*1.0P | 5 | 1 | 0.8 |
| -120 | 167.8 | 120 | 100.9 | 19.1 | 32 | 42 | 50 | 14 | 20 | 10 | M8*1.0P | 5 | 2 | 1.1 |
| -SFS12- 80 | 127.8 | 80 | 60.9 | 19.1 | 37 | 47 | 50 | 16 | 16 | 12 | M10*1.0P | 5 | 1 | 0.8 |
| -120 | 167.8 | 120 | 100.9 | 19.1 | 37 | 47 | 50 | 16 | 20 | 12 | M10*1.0P | 5 | 2 | 1.1 |
| -SFS14- 80 | 127.8 | 80 | 60.9 | 19.1 | 37 | 47 | 50 | 20 | 26 | 14 | M10*1.0P | 5 | 1 | 1 |
| -120 | 167.8 | 120 | 100.9 | 19.1 | 37 | 47 | 50 | 20 | 29 | 14 | M10*1.0P | 5 | 2 | 1.2 |
| -SFS16- 80 | 127.8 | 80 | 60.9 | 19.1 | 40 | 50 | 50 | 22 | 28 | 16 | M12*1.0P | 5 | 1 | 1 |
| -120 | 167.8 | 120 | 100.9 | 19.1 | 40 | 50 | 50 | 22 | 31 | 16 | M12*1.0P | 5 | 2 | 1.2 |

规格说明:

SK30 - SFS - 06 - 80

- L1 长度 Length (L)
- 刀杆直径 Bore diameter
- 功能代号 Side lock end mill holder type
- 锥柄形式 Shank size

· SK40-SFS 热缩刀柄(3°细长型) SK40-SFS SHRINK FIT TOOL HOLDER (3° SLENDER TYPE)



FIG. 1

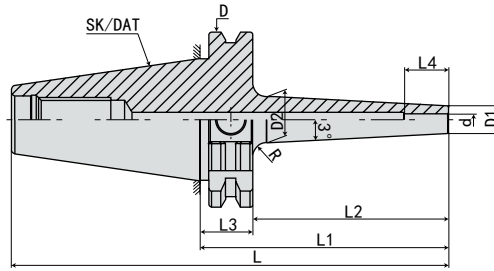
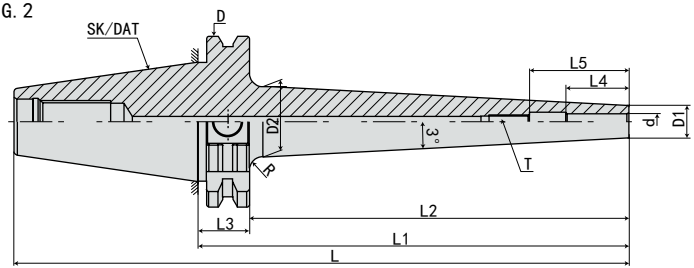
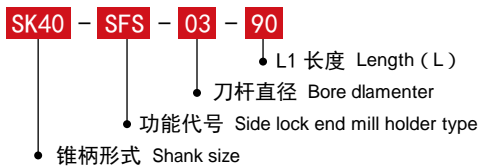


FIG. 2



| 规格 Mode | L | L1 | L2 | L3 | L4 | D | D1 | D2 | d | R | FIG | 重量 KGS |
|----------------|-------|-----|-------|------|----|-------|----|----|---|---|-----|--------|
| SK40-SFS03- 90 | 158.4 | 90 | 70.9 | 19.1 | 12 | 63.55 | 9 | 15 | 3 | 5 | 1 | 1 |
| -120 | 188.4 | 120 | 100.9 | 19.1 | 12 | 63.55 | 9 | 16 | 3 | 5 | 2 | 1.1 |
| -160 | 228.4 | 160 | 140.9 | 19.1 | 12 | 63.55 | 9 | 19 | 3 | 5 | 2 | 1.2 |
| -200 | 268.4 | 200 | 180.9 | 19.1 | 12 | 63.55 | 9 | 22 | 3 | 5 | 2 | 1.3 |
| -SFS04- 90 | 158.4 | 90 | 70.9 | 19.1 | 16 | 63.55 | 10 | 16 | 4 | 5 | 1 | 1 |
| -120 | 188.4 | 120 | 100.9 | 19.1 | 16 | 63.55 | 10 | 17 | 4 | 5 | 2 | 1.1 |
| -160 | 228.4 | 160 | 140.9 | 19.1 | 16 | 63.55 | 10 | 20 | 4 | 5 | 2 | 1.2 |
| -200 | 268.4 | 200 | 180.9 | 19.1 | 16 | 63.55 | 10 | 23 | 4 | 5 | 2 | 1.3 |
| -SFS05- 90 | 158.4 | 90 | 70.9 | 19.1 | 18 | 63.55 | 11 | 17 | 5 | 5 | 1 | 1 |
| -120 | 188.4 | 120 | 100.9 | 19.1 | 18 | 63.55 | 11 | 18 | 5 | 5 | 2 | 1.1 |
| -160 | 228.4 | 160 | 140.9 | 19.1 | 18 | 63.55 | 11 | 21 | 5 | 5 | 2 | 1.2 |
| -200 | 268.4 | 200 | 180.9 | 19.1 | 18 | 63.55 | 11 | 24 | 5 | 5 | 2 | 1.3 |

规格说明:



· SK40-SFS 热缩刀柄(3°细长型) SK40-SFS SHRINK FIT TOOL HOLDER (3° SLENDER TYPE)

FIG. 1

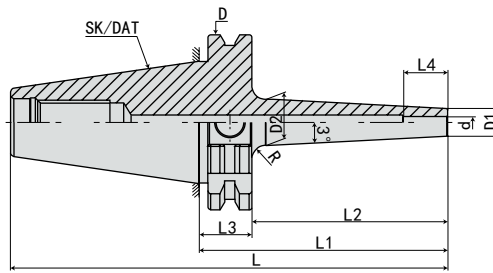
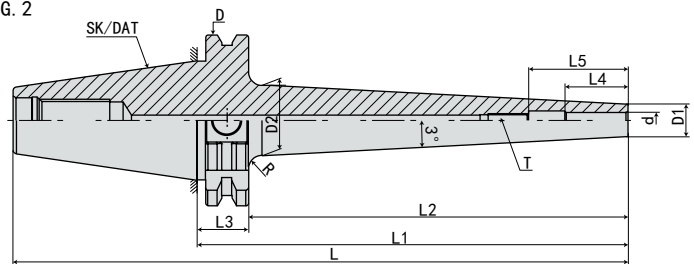


FIG. 2

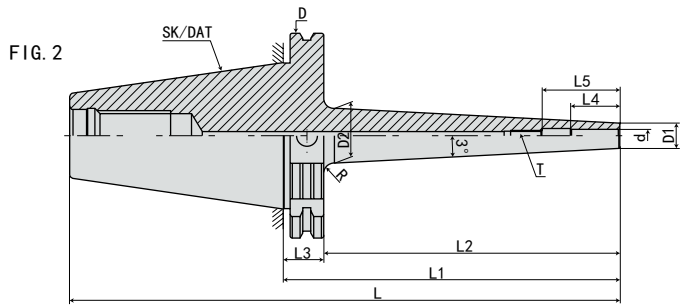
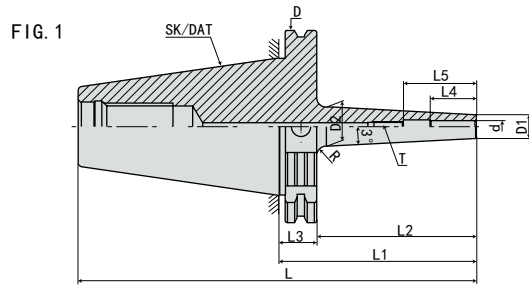


| 规格 Model | L | L1 | L2 | L3 | L4 | L5 | D | D1 | D2 | d | T | R | FIG | 重量 KGS |
|----------------|-------|-----|-------|------|----|----|-------|----|----|----|----------|----|-----|--------|
| SK40-SFS06- 90 | 158.4 | 90 | 70.9 | 19.1 | 26 | 36 | 63.55 | 12 | 18 | 6 | M5*0.8P | 10 | 1 | 1.1 |
| - 120 | 188.4 | 120 | 100.9 | 19.1 | 26 | 36 | 63.55 | 12 | 21 | 6 | M5*0.8P | 10 | 2 | 1.2 |
| - 160 | 228.4 | 160 | 140.9 | 19.1 | 26 | 36 | 63.55 | 12 | 24 | 6 | M5*0.8P | 10 | 2 | 1.3 |
| - 200 | 268.4 | 200 | 180.9 | 19.1 | 26 | 36 | 63.55 | 12 | 27 | 6 | M5*0.8P | 10 | 2 | 1.4 |
| -SFS08- 90 | 158.4 | 90 | 70.9 | 19.1 | 26 | 36 | 63.55 | 14 | 20 | 8 | M6*1.0P | 10 | 1 | 1.1 |
| - 120 | 188.4 | 120 | 100.9 | 19.1 | 26 | 36 | 63.55 | 14 | 23 | 8 | M6*1.0P | 10 | 2 | 1.2 |
| - 160 | 228.4 | 160 | 140.9 | 19.1 | 26 | 36 | 63.55 | 14 | 26 | 8 | M6*1.0P | 10 | 2 | 1.3 |
| - 200 | 268.4 | 200 | 180.9 | 19.1 | 26 | 36 | 63.55 | 14 | 29 | 8 | M6*1.0P | 10 | 2 | 1.4 |
| -SFS10- 90 | 158.4 | 90 | 70.9 | 19.1 | 32 | 42 | 63.55 | 16 | 22 | 10 | M8*1.0P | 10 | 1 | 1.1 |
| - 120 | 188.4 | 120 | 100.9 | 19.1 | 32 | 42 | 63.55 | 16 | 25 | 10 | M8*1.0P | 10 | 2 | 1.2 |
| - 160 | 228.4 | 160 | 140.9 | 19.1 | 32 | 42 | 63.55 | 16 | 28 | 10 | M8*1.0P | 10 | 2 | 1.3 |
| - 200 | 268.4 | 200 | 180.9 | 19.1 | 32 | 42 | 63.55 | 16 | 31 | 10 | M8*1.0P | 10 | 2 | 1.4 |
| -SFS12- 90 | 158.4 | 90 | 70.9 | 19.1 | 37 | 47 | 63.55 | 18 | 24 | 12 | M10*1.0P | 10 | 1 | 1.1 |
| - 120 | 188.4 | 120 | 100.9 | 19.1 | 37 | 47 | 63.55 | 18 | 27 | 12 | M10*1.0P | 10 | 2 | 1.2 |
| - 160 | 228.4 | 160 | 140.9 | 19.1 | 37 | 47 | 63.55 | 18 | 30 | 12 | M10*1.0P | 10 | 2 | 1.3 |
| - 200 | 268.4 | 200 | 180.9 | 19.1 | 37 | 47 | 63.55 | 18 | 33 | 12 | M10*1.0P | 10 | 2 | 1.4 |
| -SFS14- 90 | 158.4 | 90 | 70.9 | 19.1 | 37 | 47 | 63.55 | 20 | 26 | 14 | M10*1.0P | 10 | 1 | 1.2 |
| - 120 | 188.4 | 120 | 100.9 | 19.1 | 37 | 47 | 63.55 | 20 | 29 | 14 | M10*1.0P | 10 | 2 | 1.3 |
| - 160 | 228.4 | 160 | 140.9 | 19.1 | 37 | 47 | 63.55 | 20 | 32 | 14 | M10*1.0P | 10 | 2 | 1.5 |
| - 200 | 268.4 | 200 | 180.9 | 19.1 | 37 | 47 | 63.55 | 20 | 35 | 14 | M10*1.0P | 10 | 2 | 1.7 |
| -SFS16- 90 | 158.4 | 90 | 70.9 | 19.1 | 40 | 50 | 63.55 | 22 | 28 | 16 | M12*1.0P | 10 | 1 | 1.2 |
| - 120 | 188.4 | 120 | 100.9 | 19.1 | 40 | 50 | 63.55 | 22 | 31 | 16 | M12*1.0P | 10 | 2 | 1.3 |
| - 160 | 228.4 | 160 | 140.9 | 19.1 | 40 | 50 | 63.55 | 22 | 34 | 16 | M12*1.0P | 10 | 2 | 1.5 |
| - 200 | 268.4 | 200 | 180.9 | 19.1 | 40 | 50 | 63.55 | 22 | 37 | 16 | M12*1.0P | 10 | 2 | 1.7 |
| -SFS18- 90 | 158.4 | 90 | 70.9 | 19.1 | 40 | 50 | 63.55 | 24 | 30 | 18 | M12*1.0P | 10 | 1 | 1.2 |
| - 120 | 188.4 | 120 | 100.9 | 19.1 | 40 | 50 | 63.55 | 24 | 33 | 18 | M12*1.0P | 10 | 2 | 1.3 |
| - 160 | 228.4 | 160 | 140.9 | 19.1 | 40 | 50 | 63.55 | 24 | 36 | 18 | M12*1.0P | 10 | 2 | 1.6 |
| - 200 | 268.4 | 200 | 180.9 | 19.1 | 40 | 50 | 63.55 | 24 | 39 | 18 | M12*1.0P | 10 | 2 | 1.9 |
| -SFS20- 90 | 158.4 | 90 | 70.9 | 19.1 | 42 | 52 | 63.55 | 26 | 32 | 20 | M12*1.0P | 10 | 1 | 1.3 |
| - 120 | 188.4 | 120 | 100.9 | 19.1 | 42 | 52 | 63.55 | 26 | 35 | 20 | M12*1.0P | 10 | 2 | 1.4 |
| - 160 | 228.4 | 160 | 140.9 | 19.1 | 42 | 52 | 63.55 | 26 | 38 | 20 | M12*1.0P | 10 | 2 | 1.7 |
| - 200 | 268.4 | 200 | 180.9 | 19.1 | 42 | 52 | 63.55 | 26 | 41 | 20 | M12*1.0P | 10 | 2 | 2 |

规格说明:

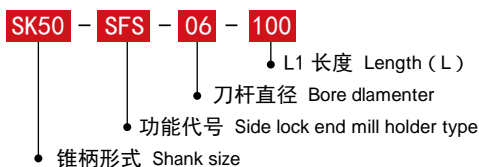
- SK40 - SFS - 06 - 90
- SK40 - 锥柄形式 Shank size
 - SFS - 功能代号 Side lock end mill holder type
 - 06 - 刀杆直径 Bore diameter
 - 90 - L1 长度 Length (L)

· SK50-SFS 热缩刀柄(3°细长型) SK50-SFS SHRINK FIT TOOL HOLDER (3° SLENDER TYPE)



| 规格 Model | L | L1 | L2 | L3 | L4 | L5 | D | D1 | D2 | d | T | R | FIG | 重量 KGS |
|----------------|--------|-----|-------|------|----|----|------|----|----|----|----------|----|-----|--------|
| SK50-SFS06-100 | 201.75 | 100 | 80.9 | 19.1 | 26 | 36 | 97.5 | 12 | 18 | 6 | M5*0.8P | 10 | 1 | 3.8 |
| -120 | 221.75 | 120 | 100.9 | 19.1 | 26 | 36 | 97.5 | 12 | 20 | 6 | M5*0.8P | 10 | 1 | 3.9 |
| -160 | 261.75 | 160 | 140.9 | 19.1 | 26 | 36 | 97.5 | 12 | 24 | 6 | M5*0.8P | 10 | 2 | 4.2 |
| -200 | 301.75 | 200 | 180.9 | 19.1 | 26 | 36 | 97.5 | 12 | 28 | 6 | M5*0.8P | 10 | 2 | 5.8 |
| -SFS08-100 | 201.75 | 100 | 80.9 | 19.1 | 26 | 36 | 97.5 | 14 | 20 | 8 | M6*1.0P | 10 | 1 | 3.8 |
| -120 | 221.75 | 120 | 100.9 | 19.1 | 26 | 36 | 97.5 | 14 | 22 | 8 | M6*1.0P | 10 | 1 | 3.9 |
| -160 | 261.75 | 160 | 140.9 | 19.1 | 26 | 36 | 97.5 | 14 | 26 | 8 | M6*1.0P | 10 | 2 | 4.2 |
| -200 | 301.75 | 200 | 180.9 | 19.1 | 26 | 36 | 97.5 | 14 | 30 | 8 | M6*1.0P | 10 | 2 | 5.8 |
| -SFS10-100 | 201.75 | 100 | 80.9 | 19.1 | 32 | 42 | 97.5 | 16 | 22 | 10 | M8*1.0P | 10 | 1 | 3.9 |
| -120 | 221.75 | 120 | 100.9 | 19.1 | 32 | 42 | 97.5 | 16 | 24 | 10 | M8*1.0P | 10 | 1 | 4.1 |
| -160 | 261.75 | 160 | 140.9 | 19.1 | 32 | 42 | 97.5 | 16 | 28 | 10 | M8*1.0P | 10 | 2 | 4.3 |
| -200 | 301.75 | 200 | 180.9 | 19.1 | 32 | 42 | 97.5 | 16 | 32 | 10 | M8*1.0P | 10 | 2 | 5.9 |
| -SFS12-100 | 201.75 | 100 | 80.9 | 19.1 | 37 | 47 | 97.5 | 18 | 24 | 12 | M10*1.0P | 10 | 1 | 3.9 |
| -120 | 221.75 | 120 | 100.9 | 19.1 | 37 | 47 | 97.5 | 18 | 26 | 12 | M10*1.0P | 10 | 1 | 4.1 |
| -160 | 261.75 | 160 | 140.9 | 19.1 | 37 | 47 | 97.5 | 18 | 30 | 12 | M10*1.0P | 10 | 2 | 4.3 |
| -SFS12-200 | 301.75 | 200 | 180.9 | 19.1 | 37 | 47 | 97.5 | 18 | 34 | 12 | M10*1.0P | 10 | 2 | 5.9 |
| -SFS14-100 | 201.75 | 100 | 80.9 | 19.1 | 37 | 47 | 97.5 | 20 | 26 | 14 | M10*1.0P | 10 | 1 | 3.9 |
| -120 | 221.75 | 120 | 100.9 | 19.1 | 37 | 47 | 97.5 | 20 | 28 | 14 | M10*1.0P | 10 | 1 | 4.1 |
| -160 | 261.75 | 160 | 140.9 | 19.1 | 37 | 47 | 97.5 | 20 | 32 | 14 | M10*1.0P | 10 | 2 | 4.3 |
| -200 | 301.75 | 200 | 180.9 | 19.1 | 37 | 47 | 97.5 | 20 | 36 | 14 | M10*1.0P | 10 | 2 | 5.9 |
| -SFS16-100 | 201.75 | 100 | 80.9 | 19.1 | 40 | 50 | 97.5 | 22 | 28 | 16 | M12*1.0P | 10 | 1 | 4 |
| -120 | 221.75 | 120 | 100.9 | 19.1 | 40 | 50 | 97.5 | 22 | 30 | 16 | M12*1.0P | 10 | 1 | 4.2 |
| -160 | 261.75 | 160 | 140.9 | 19.1 | 40 | 50 | 97.5 | 22 | 34 | 16 | M12*1.0P | 10 | 2 | 4.4 |
| -200 | 301.75 | 200 | 180.9 | 19.1 | 40 | 50 | 97.5 | 22 | 38 | 16 | M12*1.0P | 10 | 2 | 6 |
| -SFS18-100 | 201.75 | 100 | 80.9 | 19.1 | 40 | 50 | 97.5 | 24 | 30 | 18 | M12*1.0P | 10 | 1 | 4 |
| -120 | 221.75 | 120 | 100.9 | 19.1 | 40 | 50 | 97.5 | 24 | 32 | 18 | M12*1.0P | 10 | 1 | 4.2 |
| -160 | 261.75 | 160 | 140.9 | 19.1 | 40 | 50 | 97.5 | 24 | 36 | 18 | M12*1.0P | 10 | 2 | 4.4 |
| -200 | 301.75 | 200 | 180.9 | 19.1 | 40 | 50 | 97.5 | 24 | 40 | 18 | M12*1.0P | 10 | 2 | 6 |
| -SFS20-100 | 201.75 | 100 | 80.9 | 19.1 | 42 | 52 | 97.5 | 26 | 32 | 20 | M16*1.0P | 10 | 1 | 4.1 |
| -120 | 221.75 | 120 | 100.9 | 19.1 | 42 | 52 | 97.5 | 26 | 34 | 20 | M16*1.0P | 10 | 1 | 4.3 |
| -160 | 261.75 | 160 | 140.9 | 19.1 | 42 | 52 | 97.5 | 26 | 38 | 20 | M16*1.0P | 10 | 2 | 4.4 |
| -200 | 301.75 | 200 | 180.9 | 19.1 | 42 | 52 | 97.5 | 26 | 42 | 20 | M16*1.0P | 10 | 2 | 6.1 |

规格说明:



F
SK SHANK SYSTEMS
SK 刀柄系列

· SK40-SFK 热缩刀柄 (4.5° 通水型) SK40-SFK SHRINK FIT TOOL HOLDER (4.5° SHRINK-FIT COOLANT TYPE)

FIG. 1

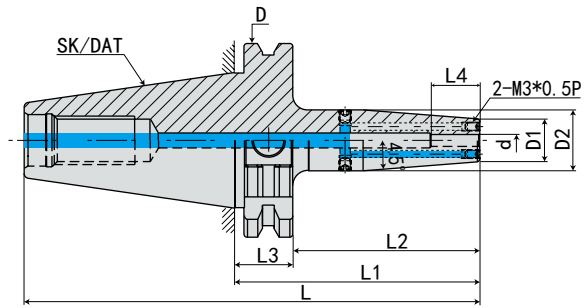
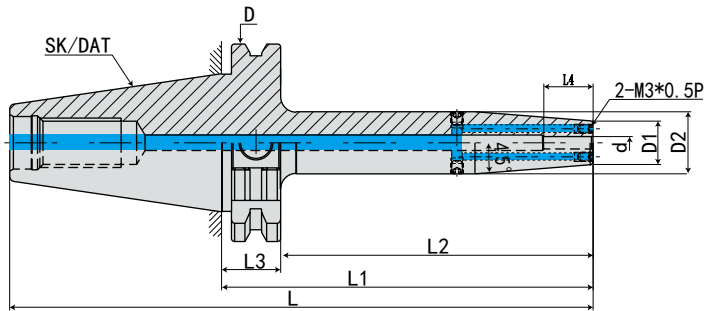


FIG. 2



| 规格 Model | L | L1 | L2 | L3 | L4 | D | D1 | D2 | d | R | FIG | 重量 KGS |
|----------------|-------|-----|-------|------|----|-------|----|----|---|---|-----|--------|
| SK40-SF03- 80K | 148.4 | 80 | 60.9 | 19.1 | 12 | 63.55 | 14 | 20 | 3 | 5 | 1 | 1 |
| -120K | 188.4 | 120 | 100.9 | 19.1 | 12 | 63.55 | 14 | 20 | 3 | 5 | 2 | 1.1 |
| -160K | 228.4 | 160 | 140.9 | 19.1 | 12 | 63.55 | 14 | 20 | 3 | 5 | 2 | 1.2 |
| -SF04- 80K | 148.4 | 80 | 60.9 | 19.1 | 16 | 63.55 | 14 | 20 | 4 | 5 | 1 | 1 |
| -120K | 188.4 | 120 | 100.9 | 19.1 | 16 | 63.55 | 14 | 20 | 4 | 5 | 2 | 1.1 |
| -160K | 228.4 | 160 | 140.9 | 19.1 | 16 | 63.55 | 14 | 20 | 4 | 5 | 2 | 1.2 |
| -SF05- 80K | 148.4 | 80 | 60.9 | 19.1 | 18 | 63.55 | 14 | 20 | 5 | 5 | 1 | 1 |
| -120K | 188.4 | 120 | 100.9 | 19.1 | 18 | 63.55 | 14 | 20 | 5 | 5 | 2 | 1.1 |
| -160K | 228.4 | 160 | 140.9 | 19.1 | 18 | 63.55 | 14 | 20 | 5 | 5 | 2 | 1.2 |

规格说明:

SK40 - SF - 03 - 80K

- L1 长度 Length (L)
- 刀杆直径 Bore diameter
- 功能代号 Side lock end mill holder type
- 锥柄形式 Shank size

· SK40-SFK 热缩刀柄 (4.5° 通水型) SK40-SFK SHRINK FIT TOOL HOLDER (4.5° SHRINK-FIT COOLANT TYPE)



FIG. 1

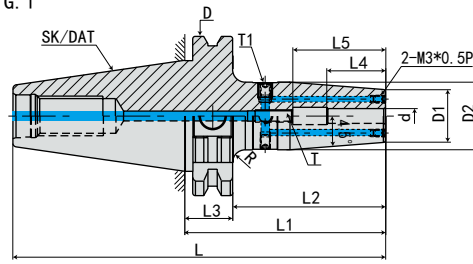


FIG. 2

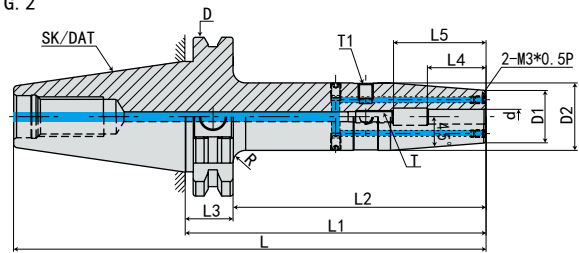
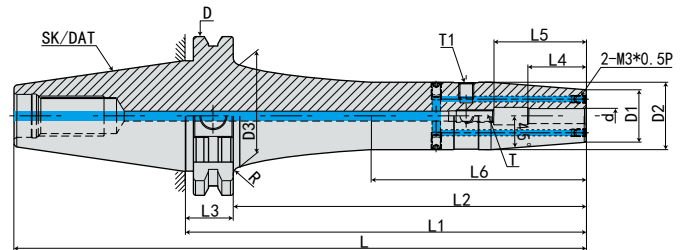
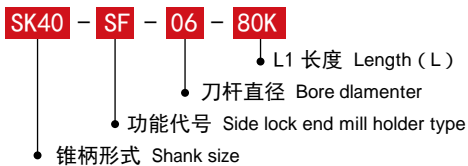


FIG. 3



| 规格 Model | L | L1 | L2 | L3 | L4 | L5 | L6 | D | D1 | D2 | D3 | d | T | T1 | FIG | 重量 KGS |
|----------------|-------|-----|-------|------|----|----|-----|-------|----|----|----|----|----------|---------|-----|--------|
| SK40-SF06- 80K | 148.4 | 80 | 60.9 | 19.1 | 26 | 36 | - | 63.55 | 21 | 27 | - | 6 | M5*0.8P | M6*1.0P | 1 | 1.2 |
| -120K | 188.4 | 120 | 100.9 | 19.1 | 26 | 36 | - | 63.55 | 21 | 27 | - | 6 | M5*0.8P | M6*1.0P | 2 | 1.5 |
| -160K | 228.4 | 160 | 140.9 | 19.1 | 26 | 36 | 78 | 63.55 | 21 | 27 | 41 | 6 | M5*0.8P | M6*1.0P | 3 | 1.8 |
| -200K | 268.4 | 200 | 180.9 | 19.1 | 26 | 36 | 118 | 63.55 | 21 | 27 | 41 | 6 | M5*0.8P | M6*1.0P | 3 | 2.2 |
| -SF08- 80K | 148.4 | 80 | 60.9 | 19.1 | 26 | 36 | - | 63.55 | 21 | 27 | - | 8 | M6*1.0P | M6*1.0P | 1 | 1.2 |
| -120K | 188.4 | 120 | 100.9 | 19.1 | 26 | 36 | - | 63.55 | 21 | 27 | - | 8 | M6*1.0P | M6*1.0P | 2 | 1.5 |
| -160K | 228.4 | 160 | 140.9 | 19.1 | 26 | 36 | 78 | 63.55 | 21 | 27 | 41 | 8 | M6*1.0P | M6*1.0P | 3 | 1.8 |
| -200K | 268.4 | 200 | 180.9 | 19.1 | 26 | 36 | 118 | 63.55 | 21 | 27 | 41 | 8 | M6*1.0P | M6*1.0P | 3 | 2.2 |
| -SF10- 80K | 148.4 | 80 | 60.9 | 19.1 | 32 | 42 | - | 63.55 | 24 | 32 | - | 10 | M8*1.0P | M6*1.0P | 1 | 1.3 |
| -120K | 188.4 | 120 | 100.9 | 19.1 | 32 | 42 | - | 63.55 | 24 | 32 | - | 10 | M8*1.0P | M6*1.0P | 2 | 1.6 |
| -160K | 228.4 | 160 | 140.9 | 19.1 | 32 | 42 | 78 | 63.55 | 24 | 32 | 40 | 10 | M8*1.0P | M6*1.0P | 3 | 1.9 |
| -200K | 268.4 | 200 | 180.9 | 19.1 | 32 | 42 | 118 | 63.55 | 24 | 32 | 40 | 10 | M8*1.0P | M6*1.0P | 3 | 2.3 |
| -SF12- 80K | 148.4 | 80 | 60.9 | 19.1 | 37 | 47 | - | 63.55 | 24 | 32 | - | 12 | M10*1.0P | M6*1.0P | 1 | 1.3 |
| -120K | 188.4 | 120 | 100.9 | 19.1 | 37 | 47 | - | 63.55 | 24 | 32 | - | 12 | M10*1.0P | M6*1.0P | 2 | 1.6 |
| -160K | 228.4 | 160 | 140.9 | 19.1 | 37 | 47 | 78 | 63.55 | 24 | 32 | 40 | 12 | M10*1.0P | M6*1.0P | 3 | 1.9 |
| -200K | 268.4 | 200 | 180.9 | 19.1 | 37 | 47 | 118 | 63.55 | 24 | 32 | 40 | 12 | M10*1.0P | M6*1.0P | 3 | 2.3 |
| -SF14- 80K | 148.4 | 80 | 60.9 | 19.1 | 37 | 47 | - | 63.55 | 27 | 34 | - | 14 | M10*1.0P | M6*1.0P | 1 | 1.3 |
| -120K | 188.4 | 120 | 100.9 | 19.1 | 37 | 47 | - | 63.55 | 27 | 34 | - | 14 | M10*1.0P | M6*1.0P | 2 | 1.6 |
| -160K | 228.4 | 160 | 140.9 | 19.1 | 37 | 47 | 78 | 63.55 | 27 | 34 | 42 | 14 | M10*1.0P | M6*1.0P | 3 | 1.9 |
| -200K | 268.4 | 200 | 180.9 | 19.1 | 37 | 47 | 118 | 63.55 | 27 | 34 | 42 | 14 | M10*1.0P | M6*1.0P | 3 | 2.3 |

规格说明:



· SK40-SFK 热缩刀柄 (4.5° 通水型) SK40-SFK SHRINK FIT TOOL HOLDER (4.5° SHRINK-FIT COOLANT TYPE)



FIG. 1

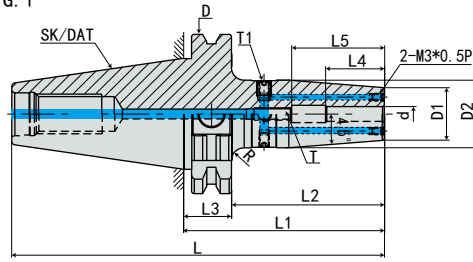


FIG. 2

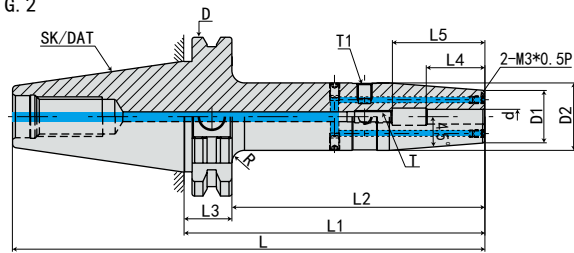
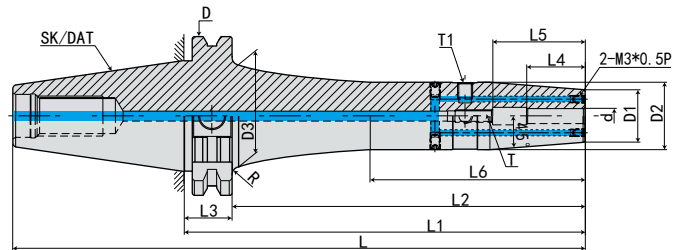


FIG. 3

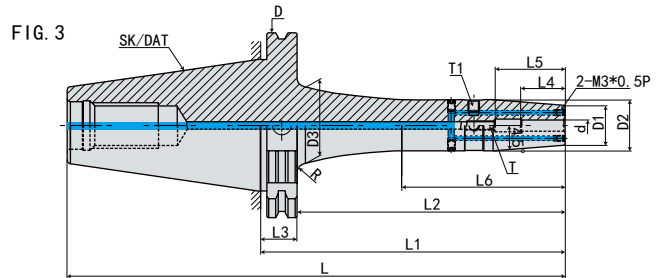
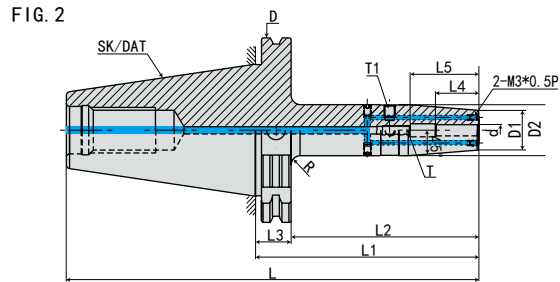
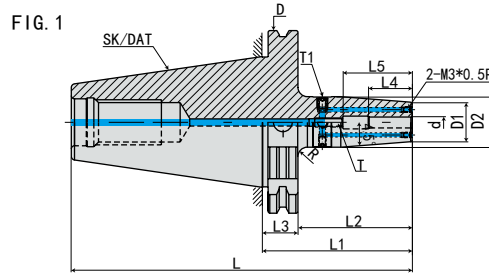


| 规格 Model | L | L1 | L2 | L3 | L4 | L5 | L6 | D | D1 | D2 | D3 | d | T | T1 | FIG | 重量 KGS |
|----------------|-------|-----|-------|------|----|----|-----|-------|----|----|----|----|----------|---------|-----|--------|
| SK40-SF16- 80K | 148.4 | 80 | 60.9 | 19.1 | 40 | 50 | - | 63.55 | 27 | 34 | - | 16 | M12*1.0P | M6*1.0P | 1 | 1.3 |
| -120K | 188.4 | 120 | 100.9 | 19.1 | 40 | 50 | - | 63.55 | 27 | 34 | - | 16 | M12*1.0P | M6*1.0P | 2 | 1.6 |
| -160K | 228.4 | 160 | 140.9 | 19.1 | 40 | 50 | 78 | 63.55 | 27 | 34 | 42 | 16 | M12*1.0P | M6*1.0P | 3 | 1.9 |
| -200K | 268.4 | 200 | 180.9 | 19.1 | 40 | 50 | 118 | 63.55 | 27 | 34 | 42 | 16 | M12*1.0P | M6*1.0P | 3 | 2.3 |
| -SF18- 80K | 148.4 | 80 | 60.9 | 19.1 | 40 | 50 | - | 63.55 | 33 | 42 | - | 18 | M12*1.0P | M6*1.0P | 1 | 1.4 |
| -120K | 188.4 | 120 | 100.9 | 19.1 | 40 | 50 | - | 63.55 | 33 | 42 | - | 18 | M12*1.0P | M6*1.0P | 2 | 1.7 |
| -160K | 228.4 | 160 | 140.9 | 19.1 | 40 | 50 | - | 63.55 | 33 | 42 | - | 18 | M12*1.0P | M6*1.0P | 2 | 2 |
| -200K | 268.4 | 200 | 180.9 | 19.1 | 40 | 50 | - | 63.55 | 33 | 42 | - | 18 | M12*1.0P | M6*1.0P | 2 | 2.4 |
| -SF20- 80K | 148.4 | 80 | 60.9 | 19.1 | 42 | 52 | - | 63.55 | 33 | 42 | - | 20 | M16*1.0P | M6*1.0P | 1 | 1.4 |
| -120K | 188.4 | 120 | 100.9 | 19.1 | 42 | 52 | - | 63.55 | 33 | 42 | - | 20 | M16*1.0P | M6*1.0P | 2 | 1.7 |
| -160K | 228.4 | 160 | 140.9 | 19.1 | 42 | 52 | - | 63.55 | 33 | 42 | - | 20 | M16*1.0P | M6*1.0P | 2 | 2 |
| -200K | 268.4 | 200 | 180.9 | 19.1 | 42 | 52 | - | 63.55 | 33 | 42 | - | 20 | M16*1.0P | M6*1.0P | 2 | 2.4 |
| -SF25- 80K | 148.4 | 80 | 60.9 | 19.1 | 48 | 58 | - | 63.55 | 44 | 53 | - | 25 | M16*1.0P | M6*1.0P | 1 | 2 |
| -120K | 188.4 | 120 | 100.9 | 19.1 | 48 | 58 | - | 63.55 | 44 | 53 | - | 25 | M16*1.0P | M6*1.0P | 2 | 2.3 |
| -160K | 228.4 | 160 | 140.9 | 19.1 | 48 | 58 | - | 63.55 | 44 | 53 | - | 25 | M16*1.0P | M6*1.0P | 2 | 2.6 |
| -200K | 268.4 | 200 | 180.9 | 19.1 | 48 | 58 | - | 63.55 | 44 | 53 | - | 25 | M16*1.0P | M6*1.0P | 2 | 3 |
| -SF32- 80K | 148.4 | 80 | 60.9 | 19.1 | 52 | 62 | - | 63.55 | 44 | 53 | - | 32 | M16*1.0P | M6*1.0P | 1 | 2 |
| -120K | 188.4 | 120 | 100.9 | 19.1 | 52 | 62 | - | 63.55 | 44 | 53 | - | 32 | M16*1.0P | M6*1.0P | 2 | 2.3 |
| -160K | 228.4 | 160 | 140.9 | 19.1 | 52 | 62 | - | 63.55 | 44 | 53 | - | 32 | M16*1.0P | M6*1.0P | 2 | 2.6 |
| -200K | 268.4 | 200 | 180.9 | 19.1 | 52 | 62 | - | 63.55 | 44 | 53 | - | 32 | M16*1.0P | M6*1.0P | 2 | 3 |

规格说明:

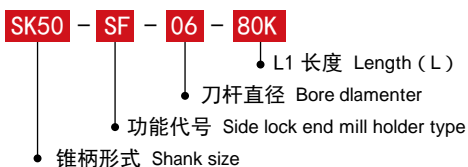
- SK40 - SF - 16 - 80K
- SK40: 锥柄形式 Shank size
 - SF: 功能代号 Side lock end mill holder type
 - 16: 刀杆直径 Bore diameter
 - 80K: L1 长度 Length (L)

· SK50-SFK 热缩刀柄 (4.5° 通水型) SK50-SFK SHRINK FIT TOOL HOLDER (4.5° SHRINK-FIT COOLANT TYPE)



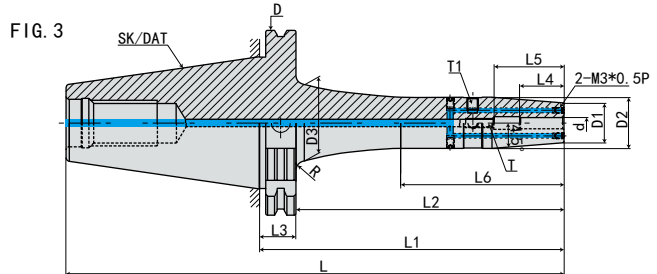
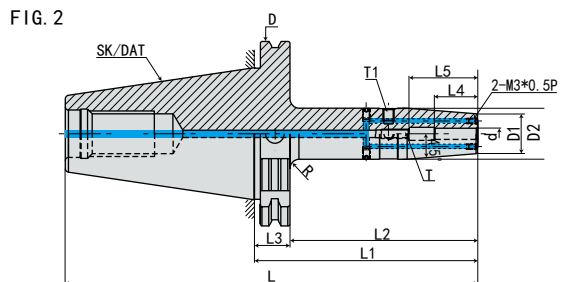
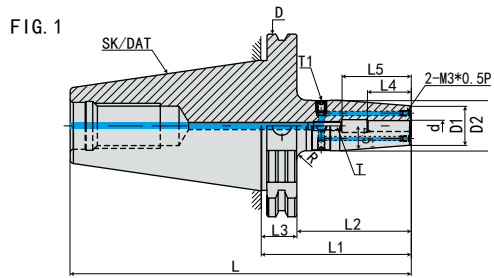
| 规格 Model | L | L1 | L2 | L3 | L4 | L5 | L6 | D | D1 | D2 | D3 | d | T | T1 | FIG | 重量 KGS |
|----------------|--------|-----|-------|------|----|----|-----|------|----|----|----|----|----------|---------|-----|--------|
| SK50-SF06- 80K | 181.75 | 80 | 60.9 | 19.1 | 26 | 36 | - | 97.5 | 21 | 27 | - | 6 | M5*0.8P | M6*1.0P | 1 | 2.8 |
| -120K | 221.75 | 120 | 100.9 | 19.1 | 26 | 36 | - | 97.5 | 21 | 27 | - | 6 | M5*0.8P | M6*1.0P | 2 | 2.9 |
| -160K | 261.75 | 160 | 140.9 | 19.1 | 26 | 36 | 78 | 97.5 | 21 | 27 | 41 | 6 | M5*0.8P | M6*1.0P | 3 | 3 |
| -200K | 301.75 | 200 | 180.9 | 19.1 | 26 | 36 | 118 | 97.5 | 21 | 27 | 41 | 6 | M5*0.8P | M6*1.0P | 3 | 3.1 |
| -SF08- 80K | 181.75 | 80 | 60.9 | 19.1 | 26 | 36 | - | 97.5 | 21 | 27 | - | 8 | M6*1.0P | M6*1.0P | 1 | 2.8 |
| -120K | 221.75 | 120 | 100.9 | 19.1 | 26 | 36 | - | 97.5 | 21 | 27 | - | 8 | M6*1.0P | M6*1.0P | 2 | 2.9 |
| -160K | 261.75 | 160 | 140.9 | 19.1 | 26 | 36 | 78 | 97.5 | 21 | 27 | 41 | 8 | M6*1.0P | M6*1.0P | 3 | 3 |
| -200K | 301.75 | 200 | 180.9 | 19.1 | 26 | 36 | 118 | 97.5 | 21 | 27 | 41 | 8 | M6*1.0P | M6*1.0P | 3 | 3.1 |
| -SF10- 80K | 181.75 | 80 | 60.9 | 19.1 | 32 | 42 | - | 97.5 | 24 | 32 | - | 10 | M8*1.0P | M6*1.0P | 1 | 2.8 |
| -120K | 221.75 | 120 | 100.9 | 19.1 | 32 | 42 | - | 97.5 | 24 | 32 | - | 10 | M8*1.0P | M6*1.0P | 2 | 2.9 |
| -160K | 261.75 | 160 | 140.9 | 19.1 | 32 | 42 | 78 | 97.5 | 24 | 32 | 40 | 10 | M8*1.0P | M6*1.0P | 3 | 3 |
| -200K | 301.75 | 200 | 180.9 | 19.1 | 32 | 42 | 118 | 97.5 | 24 | 32 | 40 | 10 | M8*1.0P | M6*1.0P | 3 | 3.1 |
| -SF12- 80K | 181.75 | 80 | 60.9 | 19.1 | 37 | 47 | - | 97.5 | 24 | 32 | - | 12 | M10*1.0P | M6*1.0P | 1 | 2.9 |
| -120K | 221.75 | 120 | 100.9 | 19.1 | 37 | 47 | - | 97.5 | 24 | 32 | - | 12 | M10*1.0P | M6*1.0P | 2 | 3 |
| -160K | 261.75 | 160 | 140.9 | 19.1 | 37 | 47 | 78 | 97.5 | 24 | 32 | 40 | 12 | M10*1.0P | M6*1.0P | 3 | 3.1 |
| -200K | 301.75 | 200 | 180.9 | 19.1 | 37 | 47 | 118 | 97.5 | 24 | 32 | 40 | 12 | M10*1.0P | M6*1.0P | 3 | 3.2 |
| -SF14- 80K | 181.75 | 80 | 60.9 | 19.1 | 37 | 47 | - | 97.5 | 27 | 34 | - | 14 | M10*1.0P | M6*1.0P | 1 | 2.9 |
| -120K | 221.75 | 120 | 100.9 | 19.1 | 37 | 47 | - | 97.5 | 27 | 34 | - | 14 | M10*1.0P | M6*1.0P | 2 | 3 |
| -160K | 261.75 | 160 | 140.9 | 19.1 | 37 | 47 | 78 | 97.5 | 27 | 34 | 42 | 14 | M10*1.0P | M6*1.0P | 3 | 3.1 |
| -SF14-200K | 301.75 | 200 | 180.9 | 19.1 | 37 | 47 | 118 | 97.5 | 27 | 34 | 42 | 14 | M10*1.0P | M6*1.0P | 3 | 3.2 |

规格说明:



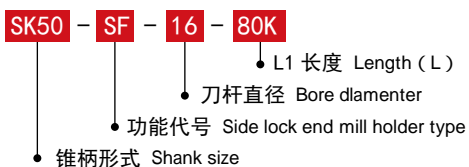
F
SK SHANK SYSTEMS
SK 刀柄系列

· SK50-SFK 热缩刀柄 (4.5° 通水型) SK50-SFK SHRINK FIT TOOL HOLDER (4.5° SHRINK-FIT COOLANT TYPE)

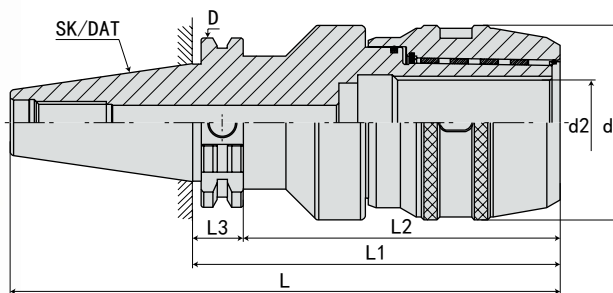


| 规格 Model | L | L1 | L2 | L3 | L4 | L5 | L6 | D | D1 | D2 | D3 | d | T | T1 | FIG | 重量 KGS |
|---------------|--------|-----|-------|------|----|----|-----|------|----|----|----|----|----------|---------|-----|--------|
| SK50-SF16-80K | 181.75 | 80 | 60.9 | 19.1 | 40 | 50 | - | 97.5 | 27 | 34 | - | 16 | M12*1.0P | M6*1.0P | 1 | 3.1 |
| -120K | 221.75 | 120 | 100.9 | 19.1 | 40 | 50 | - | 97.5 | 27 | 34 | - | 16 | M12*1.0P | M6*1.0P | 2 | 3.3 |
| -160K | 261.75 | 160 | 140.9 | 19.1 | 40 | 50 | 78 | 97.5 | 27 | 34 | 42 | 16 | M12*1.0P | M6*1.0P | 3 | 3.5 |
| -200K | 301.75 | 200 | 180.9 | 19.1 | 40 | 50 | 118 | 97.5 | 27 | 34 | 42 | 16 | M12*1.0P | M6*1.0P | 3 | 3.7 |
| -SF18-80K | 181.75 | 80 | 60.9 | 19.1 | 40 | 50 | - | 97.5 | 33 | 42 | - | 18 | M12*1.0P | M6*1.0P | 1 | 3.1 |
| -120K | 221.75 | 120 | 100.9 | 19.1 | 40 | 50 | - | 97.5 | 33 | 42 | - | 18 | M12*1.0P | M6*1.0P | 2 | 3.3 |
| -160K | 261.75 | 160 | 140.9 | 19.1 | 40 | 50 | - | 97.5 | 33 | 42 | - | 18 | M12*1.0P | M6*1.0P | 3 | 3.5 |
| -200K | 301.75 | 200 | 180.9 | 19.1 | 40 | 50 | - | 97.5 | 33 | 42 | - | 18 | M12*1.0P | M6*1.0P | 3 | 3.7 |
| -SF20-80K | 181.75 | 80 | 60.9 | 19.1 | 42 | 52 | - | 97.5 | 33 | 42 | - | 20 | M16*1.0P | M6*1.0P | 1 | 3.3 |
| -120K | 221.75 | 120 | 100.9 | 19.1 | 42 | 52 | - | 97.5 | 33 | 42 | - | 20 | M16*1.0P | M6*1.0P | 2 | 3.5 |
| -160K | 261.75 | 160 | 140.9 | 19.1 | 42 | 52 | - | 97.5 | 33 | 42 | - | 20 | M16*1.0P | M6*1.0P | 3 | 3.7 |
| -200K | 301.75 | 200 | 180.9 | 19.1 | 42 | 52 | - | 97.5 | 33 | 42 | - | 20 | M16*1.0P | M6*1.0P | 3 | 3.9 |
| -SF25-100K | 201.75 | 100 | 80.9 | 19.1 | 48 | 58 | - | 97.5 | 44 | 53 | - | 25 | M16*1.0P | M6*1.0P | 1 | 3.3 |
| -120K | 221.75 | 120 | 100.9 | 19.1 | 48 | 58 | - | 97.5 | 44 | 53 | - | 25 | M16*1.0P | M6*1.0P | 2 | 3.5 |
| -160K | 261.75 | 160 | 140.9 | 19.1 | 48 | 58 | - | 97.5 | 44 | 53 | - | 25 | M16*1.0P | M6*1.0P | 3 | 3.7 |
| -200K | 301.75 | 200 | 180.9 | 19.1 | 48 | 58 | - | 97.5 | 44 | 53 | - | 25 | M16*1.0P | M6*1.0P | 3 | 3.9 |
| -SF32-100K | 201.75 | 100 | 80.9 | 19.1 | 52 | 62 | - | 97.5 | 44 | 53 | - | 32 | M16*1.0P | M6*1.0P | 1 | 3.4 |
| -120K | 221.75 | 120 | 100.9 | 19.1 | 52 | 62 | - | 97.5 | 44 | 53 | - | 32 | M16*1.0P | M6*1.0P | 2 | 3.6 |
| -160K | 261.75 | 160 | 140.9 | 19.1 | 52 | 62 | - | 97.5 | 44 | 53 | - | 32 | M16*1.0P | M6*1.0P | 3 | 3.8 |
| -200K | 301.75 | 200 | 180.9 | 19.1 | 52 | 62 | - | 97.5 | 44 | 53 | - | 32 | M16*1.0P | M6*1.0P | 3 | 4 |

规格说明:



· SK-C 型高精度强力刀柄 SK-C FORCE MILLING CHUCK



| 规格 Model | L | L1 | L2 | L3 | d1 | d2 | D | 夹持范围 Range |
|--------------|--------|-----|-----|------|----|----|-------|---|
| SK30-C20-85 | 132.8 | 85 | 66 | 19.1 | 20 | 56 | 50 | 3 4 5 6 8 10 12 14 16 |
| -100 | 147.8 | 100 | 81 | 19.1 | 20 | 56 | 50 | 3 4 5 6 8 10 12 14 16 |
| -C32-105 | 152.8 | 105 | 86 | 19.1 | 32 | 68 | 50 | 3 4 5 6 8 10 12 14 16 18 20 22 24 25 |
| SK40-C20-85 | 132.8 | 85 | 66 | 19.1 | 20 | 56 | 63.55 | 3 4 5 6 8 10 12 14 16 |
| -100 | 147.8 | 100 | 81 | 19.1 | 20 | 56 | 63.55 | 3 4 5 6 8 10 12 14 16 |
| -135 | 182.8 | 135 | 116 | 19.1 | 20 | 56 | 63.55 | 3 4 5 6 8 10 12 14 16 |
| -C25-100 | 147.8 | 100 | 81 | 19.1 | 25 | 61 | 63.55 | 3 4 5 6 8 10 12 14 16 18 20 |
| -135 | 182.8 | 135 | 116 | 19.1 | 25 | 61 | 63.55 | 3 4 5 6 8 10 12 14 16 18 20 |
| -C32-105 | 152.8 | 105 | 86 | 19.1 | 32 | 68 | 63.55 | 3 4 5 6 8 10 12 14 16 18 20 22 24 25 |
| -135 | 182.8 | 135 | 116 | 19.1 | 32 | 68 | 63.55 | 3 4 5 6 8 10 12 14 16 18 20 22 24 25 |
| SK50-C20-105 | 206.75 | 105 | 86 | 19.1 | 20 | 56 | 97.5 | 3 4 5 6 8 10 12 14 16 |
| -150 | 251.75 | 150 | 131 | 19.1 | 20 | 56 | 97.5 | 3 4 5 6 8 10 12 14 16 |
| -C25-105 | 206.75 | 105 | 86 | 19.1 | 25 | 61 | 97.5 | 3 4 5 6 8 10 12 14 16 18 20 |
| -165 | 266.75 | 165 | 146 | 19.1 | 25 | 61 | 97.5 | 3 4 5 6 8 10 12 14 16 18 20 |
| -C32-110 | 211.75 | 110 | 91 | 19.1 | 32 | 68 | 97.5 | 3 4 5 6 8 10 12 14 16 18 20 22 24 25 |
| -165 | 266.75 | 165 | 146 | 19.1 | 32 | 68 | 97.5 | 3 4 5 6 8 10 12 14 16 18 20 22 24 25 |
| -200 | 301.75 | 200 | 181 | 19.1 | 32 | 68 | 97.5 | 3 4 5 6 8 10 12 14 16 18 20 22 24 25 28 30 32 34 36 |
| -C42-110 | 211.75 | 110 | 94 | 19.1 | 42 | 87 | 97.5 | 3 4 5 6 8 10 12 14 16 18 20 22 24 25 28 30 32 34 36 |
| -150 | 251.75 | 150 | 131 | 19.1 | 42 | 87 | 97.5 | 3 4 5 6 8 10 12 14 16 18 20 22 24 25 28 30 32 34 36 |

特点:

高速、高精度、高寿命直柄刀具系列

材质：20CrMnTi/15CrMn

硬度：HRC58-60，渗碳深度 > 0.8mm

锥柄公差等级：AT3

刀柄内孔分割了六槽，以防止刀具转动，增大夹持力

采用特殊材料制作滚针轴承保持架，延长使用寿命，增强夹紧力

具有夹持力大，定点精度高，特别适用于强力切削

可提供两种外观：光饰或涂层处理

内孔多次研磨，可达 Ra0.4，起到镜面效果

外圆及端面多次研磨，可达 Ra0.4，起到镜面效果

表面“环保”特殊涂层处理，提高表面硬度、耐磨性，提高清洁度，精度更稳定，表面更光滑，防锈、防腐蚀效果更好，手感更舒适，外观更美观

扳手、拉钉、筒夹须另行购买

Features:

High speed, high accuracy, high durability C-STRAIGHT TOOL SERIES

Material: 20CrMnTi/15CrMn ;

Hardness: HRC58-60, Carbon depth > 0.8 Tolerance class : AT3

Inner hole of the shank divide into 6 troughs to prevent the insert remove, increase the grasp force

Ball bearing cage is made of special material, improve the endurance, enhance the grasp force

Grasp force strong, centering accuracy high, suit to heavy cutting

Two kinds looks provide: polishing or chemical nickel-plating processing;

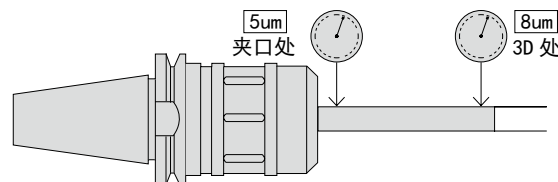
Inner hole grinding for many times, so as to reach Ra0.4, has a mirror effect;

End and the cylindrical are grinding for many times, can reach Ra0.4, has a mirror effect;

Surface "environmental protection", special coating surface treatment, improve the hardness and endurance of the surface, cleanliness better, accuracy stable, surface more smooth, antirust, feel comfortable, appearance nice.

The spanner, pull stud chuck must purchase alone.

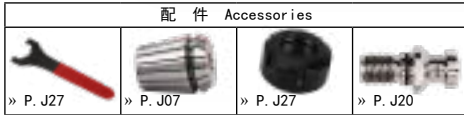
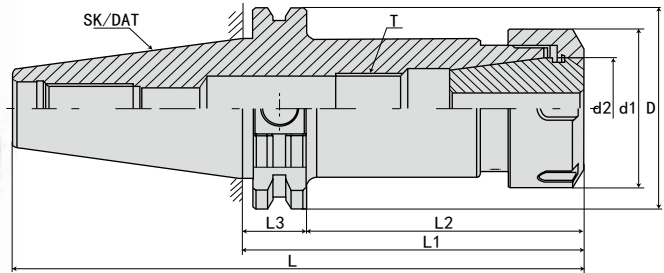
规格说明:



F
SK SHANK SYSTEMS
SK 刀柄系列

· SK30-ER 弹性筒夹刀柄

SK30-ER COLLET CHUCK



| 规格 Model | L | L1 | L2 | L3 | d1 | d2 | D | 夹持范围 Range | 重量 KGS |
|---------------|-------|-----|-----|------|----|----|----|------------|--------|
| SK30-ER11- 80 | 127.8 | 80 | 61 | 19.1 | 19 | 11 | 50 | 1-7mm | 0.6 |
| -ER16- 63 | 110.8 | 63 | 44 | 19.1 | 28 | 16 | 50 | 1-10mm | 0.7 |
| -120 | 167.8 | 120 | 101 | 19.1 | 28 | 16 | 50 | 1-10mm | 0.85 |
| -ER20- 63 | 110.8 | 63 | 44 | 19.1 | 34 | 20 | 50 | 1-13mm | 0.8 |
| -120 | 167.8 | 120 | 101 | 19.1 | 34 | 20 | 50 | 1-13mm | 1.05 |
| -ER25- 63 | 110.8 | 63 | 44 | 19.1 | 42 | 25 | 50 | 1-16mm | 0.85 |
| -ER32- 63 | 110.8 | 63 | 44 | 19.1 | 50 | 32 | 50 | 2-20mm | 0.90 |

特点:

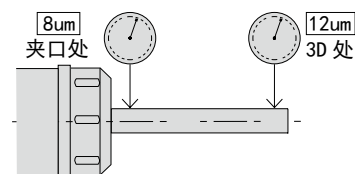
注:

- 本体锥柄规格: DIN69871-A 或 GB10944
- 配用 ER 弹性筒夹, 可适用于夹持铣刀、钻头、丝锥
- 装置时筒夹必需先置入螺母, 再装入刀具, 接着锁固入本体
- 适用专用扳手, 不可用其它工具, 可能造成刀体损坏
- 扳手、拉钉、筒夹须另行购买

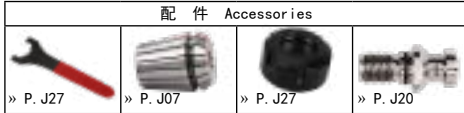
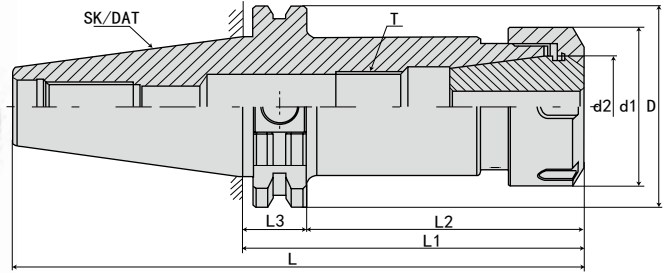
Features:

- Spindle conicity standard: DIN69871A or GB10944.
- ER collet chuck set with ER collet with flexibility used for gripping cutting tool, drill bit, draw bolt and so on.
- When using, nut should be clamped tensed firstly with cutting tools then locked into the main body.
- Always use the recommended wrench or spanner, unless, there might cause damage of cutting tools.
- The spanner, pull stud chuck must purchase alone.

规格说明:



· SK40-ER 弹性筒夹刀柄 SK40-ER COLLET CHUCK



| 规格 Model | L | L1 | L2 | L3 | d1 | d2 | D | 夹持范围 Range | 重量 KGS |
|---------------|-------|-----|-----|------|----|----|-------|------------|--------|
| SK40-ER11- 80 | 148.4 | 80 | 61 | 19.1 | 19 | 11 | 63.55 | 1 - 7mm | 1.05 |
| -100 | 168.4 | 100 | 81 | 19.1 | 19 | 11 | 63.55 | 1 - 7mm | 1.1 |
| -150 | 218.4 | 150 | 131 | 19.1 | 19 | 11 | 63.55 | 1 - 7mm | |
| -ER16-100 | 168.4 | 100 | 81 | 19.1 | 28 | 16 | 63.55 | 1 - 10mm | 1.4 |
| -150 | 218.4 | 150 | 131 | 19.1 | 28 | 16 | 63.55 | 1 - 10mm | 1.65 |
| -200 | 268.4 | 200 | 181 | 19.1 | 28 | 16 | 63.55 | 1 - 10mm | |
| -ER20- 70 | 138.4 | 70 | 51 | 19.1 | 34 | 20 | 63.55 | 1 - 13mm | 1.4 |
| -100 | 168.4 | 100 | 81 | 19.1 | 34 | 20 | 63.55 | 1 - 13mm | 1.5 |
| -150 | 218.4 | 150 | 131 | 19.1 | 34 | 20 | 63.55 | 1 - 13mm | |
| -200 | 268.4 | 200 | 181 | 19.1 | 34 | 20 | 63.55 | 1 - 13mm | |
| -ER25- 70 | 138.4 | 70 | 51 | 19.1 | 42 | 25 | 63.55 | 1 - 16mm | 1.6 |
| -100 | 168.4 | 100 | 81 | 19.1 | 42 | 25 | 63.55 | 1 - 16mm | 1.85 |
| -150 | 218.4 | 150 | 131 | 19.1 | 42 | 25 | 63.55 | 1 - 16mm | 2.25 |
| -200 | 268.4 | 200 | 181 | 19.1 | 42 | 25 | 63.55 | 1 - 16mm | 2.55 |
| -ER32- 70 | 138.4 | 70 | 51 | 19.1 | 50 | 32 | 63.55 | 2 - 20mm | 1.6 |
| -100 | 168.4 | 100 | 81 | 19.1 | 50 | 32 | 63.55 | 2 - 20mm | 2.0 |
| -150 | 218.4 | 150 | 131 | 19.1 | 50 | 32 | 63.55 | 2 - 20mm | 2.65 |
| -200 | 268.4 | 200 | 181 | 19.1 | 50 | 32 | 63.55 | 2 - 20mm | 3.2 |
| -ER40- 70 | 138.4 | 70 | 51 | 19.1 | 63 | 40 | 63.55 | 2 - 26mm | 1.5 |
| -100 | 168.4 | 100 | 81 | 19.1 | 63 | 40 | 63.55 | 2 - 26mm | 2.0 |
| -150 | 233.4 | 150 | 131 | 19.1 | 63 | 40 | 63.55 | 2 - 26mm | 3.8 |
| -200 | 268.4 | 200 | 181 | 19.1 | 63 | 40 | 63.55 | 2 - 26mm | |
| -ER50-100 | 168.4 | 100 | 81 | 19.1 | 78 | 50 | 63.55 | 6 - 34mm | 1.7 |

特点:

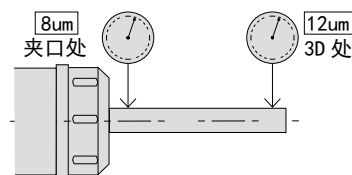
注:

- 本体锥柄规格: DIN69871-A 或 GB10944
- 配用 ER 弹性筒夹, 可适用于夹持铣刀、钻头、丝锥
- 装置时筒夹必需先置入螺母, 再装入刀具, 接着锁固入本体
- 适用专用扳手, 不可用其它工具, 可能造成刀体损坏
- 扳手、拉钉、筒夹须另行购买

Features:

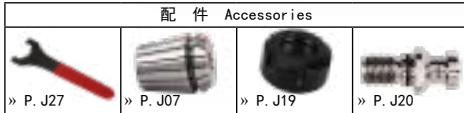
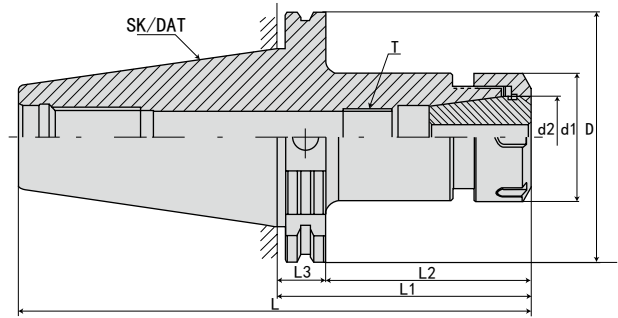
- Spindle conicity standard: DIN69871A or GB10944.
- ER collet chuck set with ER collet with flexibility used for gripping cutting tool, drill bit, draw bolt and so on.
- When using, nut should be clamped tensed firstly with cutting tools then locked into the main body.
- Always use the recommended wrench or spanner, unless, there might cause damage of cutting tools.
- The spanner, pull stud chuck must purchase alone.

规格说明:



· SK50-ER 弹性筒夹刀柄

SK50-ER COLLET CHUCK



| 规格 Model | L | L1 | L2 | L3 | d1 | d2 | D | 夹持范围 Range | 重量 KGS |
|---------------|--------|-----|-----|------|----|----|------|------------|--------|
| SK50-ER16-100 | 201.75 | 100 | 81 | 19.1 | 28 | 16 | 97.5 | 1 - 10mm | 3.2 |
| -150 | 251.75 | 150 | 131 | 19.1 | 28 | 16 | 97.5 | 1 - 10mm | |
| -200 | 301.75 | 200 | 181 | 19.1 | 28 | 16 | 97.5 | 1 - 10mm | 4.7 |
| -250 | 351.75 | 250 | 231 | 19.1 | 28 | 16 | 97.5 | 1 - 10mm | |
| -ER20- 70 | 171.5 | 70 | 51 | 19.1 | 34 | 20 | 97.5 | 1 - 13mm | |
| -100 | 201.75 | 100 | 81 | 19.1 | 34 | 20 | 97.5 | 1 - 13mm | 3.4 |
| -150 | 251.75 | 150 | 131 | 19.1 | 34 | 20 | 97.5 | 1 - 13mm | |
| -200 | 301.75 | 200 | 181 | 19.1 | 34 | 20 | 97.5 | 1 - 13mm | 4.7 |
| -250 | 351.75 | 250 | 231 | 19.1 | 34 | 20 | 97.5 | 1 - 13mm | |
| -ER25- 80 | 181.75 | 80 | 61 | 19.1 | 42 | 25 | 97.5 | 1 - 16mm | |
| -100 | 201.75 | 100 | 81 | 19.1 | 42 | 25 | 97.5 | 1 - 16mm | 4.15 |
| -150 | 251.75 | 150 | 131 | 19.1 | 42 | 25 | 97.5 | 1 - 16mm | 4.5 |
| -200 | 301.75 | 200 | 181 | 19.1 | 42 | 25 | 97.5 | 1 - 16mm | 4.8 |
| -250 | 351.75 | 250 | 231 | 19.1 | 42 | 25 | 97.5 | 1 - 16mm | |
| -300 | 401.75 | 300 | 281 | 19.1 | 42 | 25 | 97.5 | 1 - 16mm | |
| -ER32- 80 | 181.75 | 80 | 61 | 19.1 | 50 | 32 | 97.5 | 2 - 20mm | 3.6 |
| -100 | 201.75 | 100 | 81 | 19.1 | 50 | 32 | 97.5 | 2 - 20mm | |
| -150 | 251.75 | 150 | 131 | 19.1 | 50 | 32 | 97.5 | 2 - 20mm | |
| -200 | 301.75 | 200 | 181 | 19.1 | 50 | 32 | 97.5 | 2 - 20mm | 5.1 |
| -250 | 351.75 | 250 | 231 | 19.1 | 50 | 32 | 97.5 | 2 - 20mm | 5.3 |
| -300 | 401.75 | 300 | 281 | 19.1 | 50 | 32 | 97.5 | 2 - 20mm | 6 |
| -ER40- 80 | 181.75 | 80 | 61 | 19.1 | 63 | 40 | 97.5 | 2 - 26mm | 3.5 |
| -100 | 201.75 | 100 | 81 | 19.1 | 63 | 40 | 97.5 | 2 - 26mm | |
| -150 | 251.75 | 150 | 131 | 19.1 | 63 | 40 | 97.5 | 2 - 26mm | |
| -200 | 301.75 | 200 | 181 | 19.1 | 63 | 40 | 97.5 | 2 - 26mm | 5.2 |
| -250 | 351.75 | 250 | 231 | 19.1 | 63 | 40 | 97.5 | 2 - 26mm | 5.8 |
| -300 | 401.75 | 300 | 281 | 19.1 | 63 | 40 | 97.5 | 2 - 26mm | 6.5 |
| -ER50-160 | 261.75 | 160 | 141 | 19.1 | 78 | 50 | 97.5 | 6 - 34mm | 5.55 |

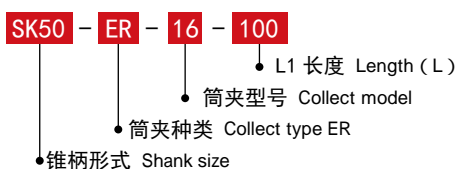
特点:

注:

本体锥柄规格: DIN69871 - A 或 GB10944

配用 ER 弹性筒夹, 可适用于夹持铣刀、钻头、丝锥
装置时筒夹必需先置入螺母, 再装入刀具, 接着锁固入本体
适用专用扳手, 不可用其它工具, 可能造成刀体损坏
扳手、拉钉、筒夹须另行购买

规格说明:



Features:

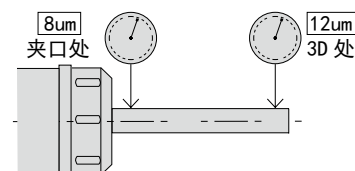
Spindle conicity standard: DIN69871A or GB10944.

ER collet chuck set with ER collet with flexibility used for gripping cutting tool, drill bit, draw bolt and so on.

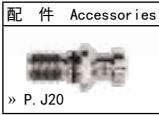
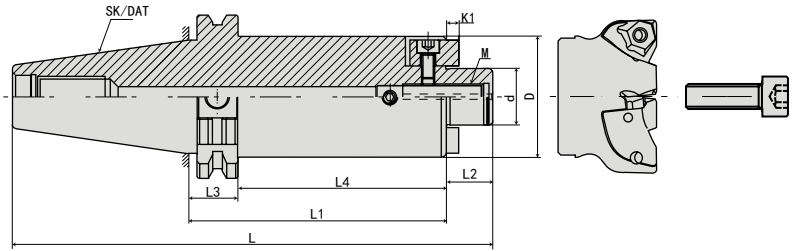
When using, nut should be clamped tensed firstly with cutting tools then locked into the main body.

Always use the recommended wrench or spanner, unless, there might cause damage of cutting tools.

The spanner, pull stud chuck must purchase alone.



· SK-FMB 平面铣刀柄 SK-FMB FACE MILL ARBOR



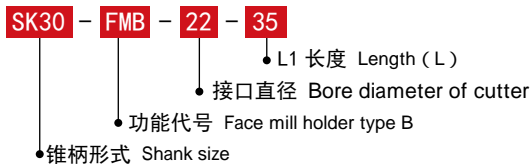
| 规格 Model | L | L1 | L2 | L4 | L5 | d1 | d2 | d3 | k1 | k2 | 螺孔 M |
|----------------|-------|-----|----|-----|------|----|----|----|-----|----|-----------|
| SK30-FMB22- 35 | 100.8 | 35 | 18 | 16 | 19.1 | 22 | 26 | 48 | 4.8 | 10 | M10*1.5P |
| -FMB27- 35 | 102.8 | 35 | 20 | 16 | 19.1 | 27 | 33 | 58 | 5.8 | 12 | M12*1.75P |
| SK40-FMB22- 45 | 131.4 | 45 | 18 | 26 | 19.1 | 22 | 26 | 48 | 4.8 | 10 | M10*1.5P |
| - 60 | 146.4 | 60 | 18 | 41 | 19.1 | 22 | 26 | 48 | 4.8 | 10 | M10*1.5P |
| -100 | 186.4 | 100 | 18 | 81 | 19.1 | 22 | 26 | 48 | 4.8 | 10 | M10*1.5P |
| -150 | 236.4 | 150 | 18 | 131 | 19.1 | 22 | 26 | 48 | 4.8 | 10 | M10*1.5P |
| -FMB27- 45 | 133.4 | 45 | 20 | 26 | 19.1 | 27 | 33 | 58 | 5.8 | 12 | M12*1.75P |
| - 60 | 148.4 | 60 | 20 | 41 | 19.1 | 27 | 33 | 58 | 5.8 | 12 | M12*1.75P |
| -100 | 163.4 | 100 | 20 | 81 | 19.1 | 27 | 33 | 58 | 5.8 | 12 | M12*1.75P |
| -FMB32- 45 | 110.4 | 45 | 22 | 26 | 19.1 | 32 | 40 | 70 | 6.8 | 14 | M16*2.0P |
| - 60 | 125.4 | 60 | 22 | 41 | 19.1 | 32 | 40 | 70 | 6.8 | 14 | M16*2.0P |
| -100 | 165.4 | 100 | 22 | 81 | 19.1 | 32 | 40 | 70 | 6.8 | 14 | M16*2.0P |
| -FMB40- 45 | 113.4 | 45 | 25 | 26 | 19.1 | 40 | 50 | 80 | 8.3 | 16 | M16*2.0P |
| - 60 | 128.4 | 60 | 25 | 41 | 19.1 | 40 | 50 | 80 | 8.3 | 16 | M16*2.0P |
| -100 | 168.4 | 100 | 25 | 81 | 19.1 | 40 | 50 | 80 | 8.3 | 16 | M16*2.0P |

特点:

注:

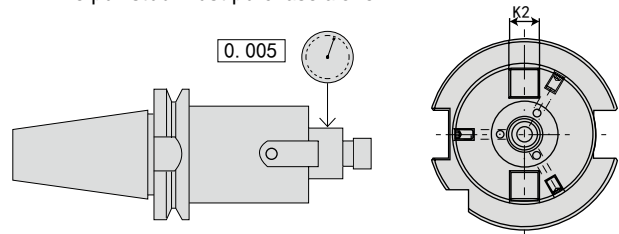
- 本体锥柄规格: DIN69871 - A 或 GB10944
- 中心通孔有利于出水及抗震性强
- 平面铣刀配合部位 (d) 轴系公轴 h6
- 适用于平面铣削加工
- 可定制非常规长度
- 拉钉须另行购买

规格说明:



Features:

- Spindle conicity standard : DIN69871A or GB10944
- With water through design that reduces vibration and steady for cutting.
- Connecting part(d) designed for metric size.
- Tool holders with BT shank for face mill chuck, Face mill holders equipped with screws and drive keys to assemble the mill cutter to holder.
- Can be made upon requested dimensions.
- The pull stud must purchase alone.



· SK50-FMB 平面铣刀柄

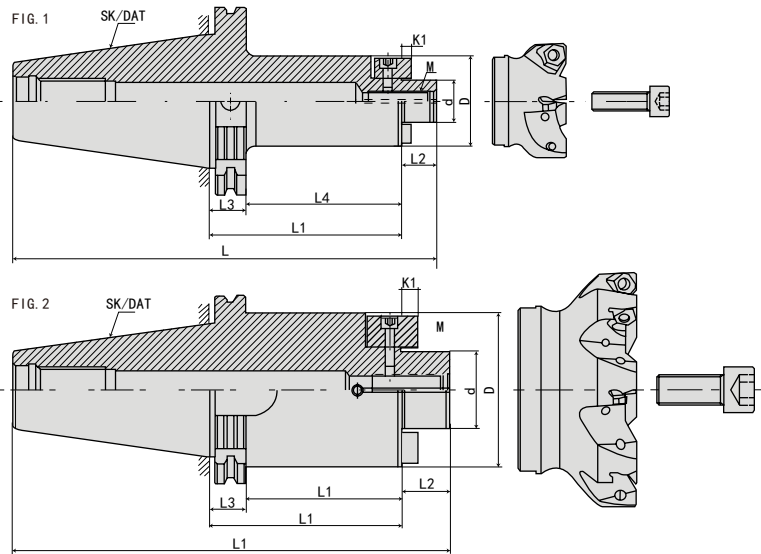
SK50-FMB FACE MILL ARBOR



配件 Accessories



» P. J20



| 规格 Model | L | L1 | L2 | L4 | L5 | d1 | d2 | d3 | k1 | k2 | 螺孔 M |
|----------------|--------|-----|----|-----|------|----|----|----|-----|----|-----------|
| SK50-FMB22- 45 | 164.75 | 45 | 18 | 26 | 19.1 | 22 | 26 | 48 | 4.8 | 10 | M10*1.5P |
| - 60 | 179.75 | 60 | 18 | 41 | 19.1 | 22 | 26 | 48 | 4.8 | 10 | M10*1.5P |
| -100 | 219.75 | 100 | 18 | 81 | 19.1 | 22 | 26 | 48 | 4.8 | 10 | M10*1.5P |
| -150 | 269.75 | 150 | 18 | 131 | 19.1 | 22 | 26 | 48 | 4.8 | 10 | M10*1.5P |
| -200 | 319.75 | 200 | 18 | 181 | 19.1 | 22 | 26 | 48 | 4.8 | 10 | M10*1.5P |
| -250 | 369.75 | 250 | 18 | 231 | 19.1 | 22 | 26 | 48 | 4.8 | 10 | M10*1.5P |
| -FMB27- 45 | 166.75 | 45 | 20 | 26 | 19.1 | 27 | 33 | 58 | 5.8 | 12 | M12*1.75P |
| - 60 | 181.75 | 60 | 20 | 41 | 19.1 | 27 | 33 | 58 | 5.8 | 12 | M12*1.75P |
| -100 | 221.75 | 100 | 20 | 81 | 19.1 | 27 | 33 | 58 | 5.8 | 12 | M12*1.75P |
| -150 | 271.75 | 150 | 20 | 131 | 19.1 | 27 | 33 | 58 | 5.8 | 12 | M12*1.75P |
| -200 | 321.75 | 200 | 20 | 181 | 19.1 | 32 | 33 | 58 | 5.8 | 12 | M12*1.75P |
| -FMB32- 45 | 168.75 | 45 | 22 | 26 | 19.1 | 32 | 40 | 70 | 6.8 | 14 | M16*2.0P |
| - 60 | 183.75 | 60 | 22 | 41 | 19.1 | 32 | 40 | 70 | 6.8 | 14 | M16*2.0P |
| -100 | 223.75 | 100 | 22 | 81 | 19.1 | 32 | 40 | 70 | 6.8 | 14 | M16*2.0P |
| -150 | 273.75 | 150 | 22 | 231 | 19.1 | 32 | 40 | 70 | 6.8 | 14 | M16*2.0P |
| -200 | 323.75 | 200 | 22 | 281 | 19.1 | 32 | 40 | 70 | 6.8 | 14 | M16*2.0P |

特点:

注:

本体锥柄规格: DIN69871-A 或 GB10944

中心通孔有利于出水及抗震性强

平面铣刀配合部位 (d) 轴系公轴 h6

适用于平面铣削加工

可定制非常规长度

拉钉须另行购买

Features:

Spindle conicity standard : DIN69871A or GB10944

With water through design that reduces vibration and steady for cutting.

Connecting part(d) designed for metric size.

Tool holders with BT shank for face mill chuck, Face mill holders equipped with screws and drive keys to assemble the mill cutter to holder.

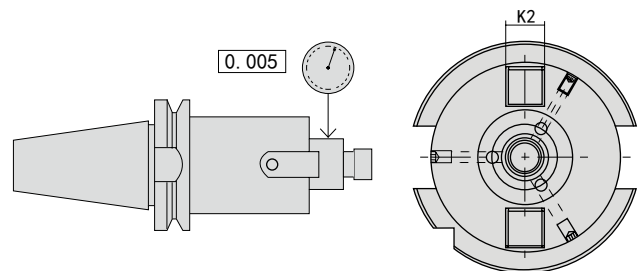
Can be made upon requested dimensions.

The pull stud must purchase alone.

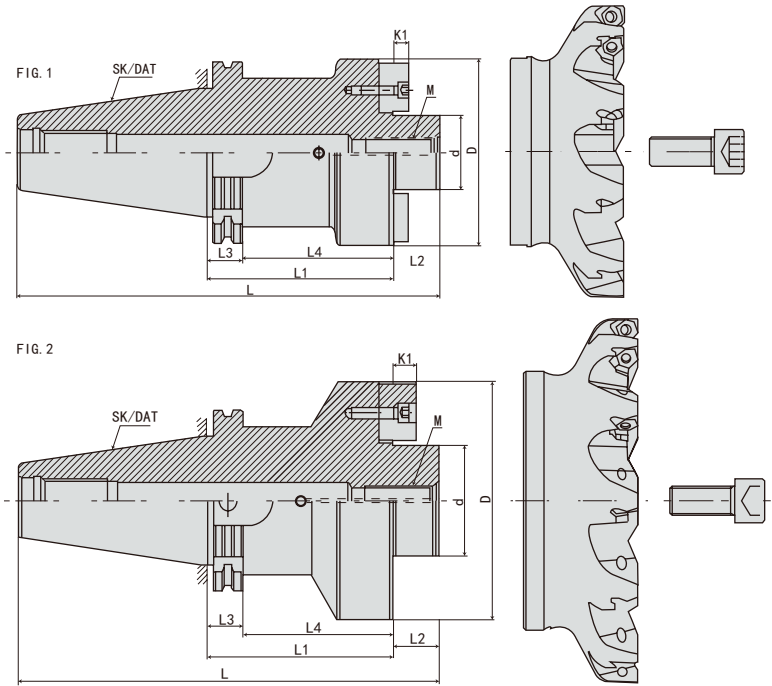
规格说明:

SK50 - FMB - 22 - 45

- L1 长度 Length (L)
- 接口直径 Bore diameter of cutter
- 功能代号 Face mill holder type B
- 锥柄形式 Shank size



· SK50-FMB 平面铣刀柄 SK50-FMB FACE MILL ARBOR



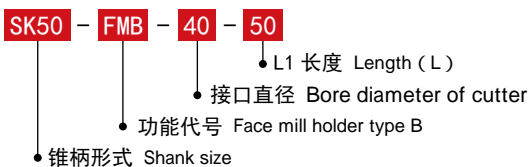
| 规格 Model | L | L1 | L2 | PCD | L4 | L5 | d1 | d2 | d3 | 四螺孔 | k1 | k2 | 螺孔 M |
|------------------------|--------|-----|----|-------|-----|------|----|----|-----|-----------|------|------|----------|
| SK50-FMB40- 50 | 176.75 | 50 | 25 | / | 31 | 19.1 | 40 | 50 | 80 | / | 8.3 | 16 | M16*2.0P |
| - 70 | 191.75 | 70 | 25 | / | 51 | 19.1 | 40 | 50 | 80 | / | 8.3 | 16 | M16*2.0P |
| -100 | 226.75 | 100 | 25 | / | 81 | 19.1 | 40 | 50 | 80 | / | 8.3 | 16 | M16*2.0P |
| -150 | 276.75 | 150 | 25 | / | 131 | 19.1 | 40 | 50 | 80 | / | 8.3 | 16 | M16*2.0P |
| -200 | 326.75 | 200 | 25 | / | 181 | 19.1 | 40 | 50 | 80 | / | 8.3 | 16 | M16*2.0P |
| - FMB50- 60 | 181.75 | 60 | 30 | / | 41 | 19.1 | 50 | 68 | 95 | / | 9.7 | 19 | M24*3.0P |
| -100 | 221.75 | 100 | 30 | / | 81 | 19.1 | 50 | 68 | 95 | / | 9.7 | 19 | M24*3.0P |
| SK40-FMB40F- 60(四螺孔) | 153.4 | 60 | 25 | 66.7 | 41 | 19.1 | 40 | / | 99 | M12*1.75P | 8.3 | 16 | M16*2.0P |
| SK50-FMB40F- 70(四螺孔) | 196.75 | 70 | 25 | 66.7 | 51 | 19.1 | 40 | / | 99 | M12*1.75P | 8.3 | 16 | M16*2.0P |
| -100(四螺孔) | 226.75 | 100 | 25 | 66.7 | 81 | 19.1 | 40 | / | 99 | M12*1.75P | 8.3 | 16 | M16*2.0P |
| -150(四螺孔) | 276.8 | 150 | 25 | 66.7 | 131 | 19.1 | 40 | / | 99 | M12*1.75P | 8.3 | 16 | M16*2.0P |
| -200(四螺孔) | 326.8 | 200 | 25 | 66.7 | 181 | 19.1 | 40 | / | 99 | M12*1.75P | 8.3 | 16 | M16*2.0P |
| - FMB60- 70(四螺孔) | 196.75 | 70 | 25 | 101.6 | 51 | 19.1 | 60 | / | 128 | M16*2.0P | 12.5 | 25.4 | M16*2.0P |

特点:

注:

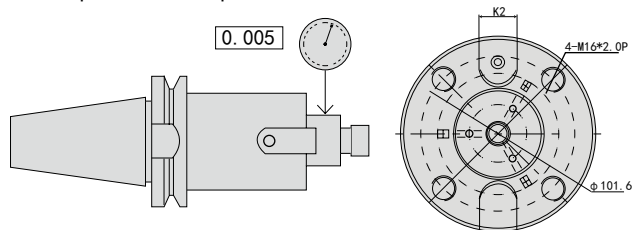
- 本体锥柄规格: DIN69871-A 或 GB10944
- 中心通孔有利于出水及抗震性强
- 平面铣刀配合部位 (d) 轴系公轴 h6
- 适用于平面铣削加工
- 可定制非常规长度
- 拉钉须另行购买

规格说明:



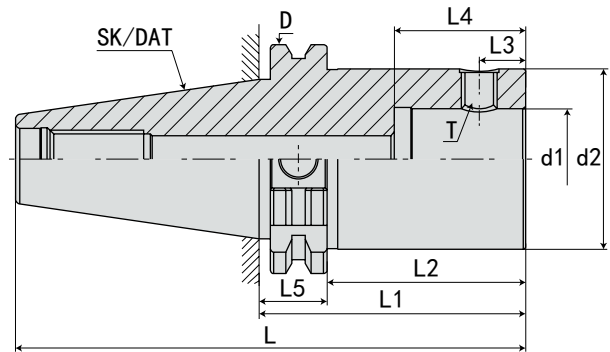
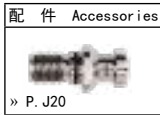
Features:

- Spindle conicity standard: DIN69871A or GB10944
- With water through design that reduces vibration and steady for cutting.
- Connecting part(d) designed for metric size.
- Tool holders with BT shank for face mill chuck, Face mill holders equipped with screws and drive keys to assemble the mill cutter to holder.
- Can be made upon requested dimensions.
- The pull stud must purchase alone.



F
SK SHANK SYSTEMS
SK 刀柄系列

· SK40-LBK 镗头刀柄 SK40-LBK BORING HEAD SHANK



| 规格 Model | L | L1 | L2 | L3 | L4 | L5 | D | d2 | d1 | 侧边螺丝 | 重量 KGS |
|---------------|-------|-----|-------|------|----|------|-------|----|----|----------|--------|
| SK40-LBK1- 75 | 143.4 | 75 | 55.9 | 5.05 | 30 | 19.1 | 63.55 | 19 | 11 | M4*0.5P | 1 |
| -105 | 168.4 | 105 | 85.9 | 5.05 | 30 | 19.1 | 63.55 | 19 | 11 | M4*0.5P | 1.2 |
| -LBK2- 85 | 153.4 | 85 | 65.9 | 6.62 | 31 | 19.1 | 63.55 | 24 | 14 | M5*0.5P | 1.2 |
| -115 | 178.4 | 115 | 95.9 | 6.62 | 31 | 19.1 | 63.55 | 24 | 14 | M5*0.5P | 1.3 |
| -LBK3- 95 | 163.4 | 95 | 75.9 | 8 | 35 | 19.1 | 63.55 | 31 | 18 | M6*0.75P | 1.3 |
| -125 | 188.4 | 125 | 105.9 | 8 | 35 | 19.1 | 63.55 | 31 | 18 | M6*0.75P | 1.2 |
| -155 | 218.4 | 155 | 135.9 | 8 | 35 | 19.1 | 63.55 | 31 | 18 | M6*0.75P | 1.6 |
| -LBK4- 85 | 153.4 | 85 | 65.9 | 10 | 39 | 19.1 | 63.55 | 39 | 22 | M8*0.75P | 1.7 |
| -130 | 193.4 | 130 | 110.9 | 10 | 39 | 19.1 | 63.55 | 39 | 22 | M8*0.75P | 1.45 |
| -175 | 243.4 | 175 | 155.9 | 10 | 39 | 19.1 | 63.55 | 39 | 22 | M8*0.75P | 1.5 |
| -205 | 273.4 | 205 | 185.9 | 10 | 39 | 19.1 | 63.55 | 39 | 22 | M8*0.75P | 2.1 |
| -300 | 368.4 | 300 | 280.9 | 10 | 39 | 19.1 | 63.55 | 39 | 22 | M8*0.75P | 2.2 |
| -LBK5- 75 | 143.4 | 75 | 55.9 | 13 | 45 | 19.1 | 63.55 | 50 | 28 | M10*1.0P | 2.3 |
| -125 | 188.4 | 125 | 105.9 | 13 | 45 | 19.1 | 63.55 | 50 | 28 | M10*1.0P | 1.7 |
| -175 | 243.4 | 175 | 155.9 | 13 | 45 | 19.1 | 63.55 | 50 | 28 | M10*1.0P | 1.95 |
| -205 | 273.4 | 205 | 185.9 | 13 | 45 | 19.1 | 63.55 | 50 | 28 | M10*1.0P | 3 |
| -250 | 318.4 | 250 | 230.9 | 13 | 45 | 19.1 | 63.55 | 50 | 28 | M10*1.0P | 3.2 |
| -LBK6- 65 | 133.4 | 65 | 45.9 | 16 | 55 | 19.1 | 63.55 | 63 | 36 | M12*1.0P | 3.5 |
| -115 | 178.4 | 115 | 95.9 | 16 | 55 | 19.1 | 63.55 | 63 | 36 | M12*1.0P | 2.15 |
| -165 | 233.4 | 165 | 145.9 | 16 | 55 | 19.1 | 63.55 | 63 | 36 | M12*1.0P | 3.5 |
| -205 | 273.4 | 205 | 185.9 | 16 | 55 | 19.1 | 63.55 | 63 | 36 | M12*1.0P | 3.85 |
| -250 | 318.4 | 250 | 230.9 | 16 | 55 | 19.1 | 63.55 | 63 | 36 | M12*1.0P | 4.1 |
| -300 | 368.4 | 300 | 280.9 | 16 | 55 | 19.1 | 63.55 | 63 | 36 | M12*1.0P | 4.5 |

特点:

注:

- 内孔公差 H6
- 整支通孔, 利于出水及抗震
- 可共用并互容于大多数 "LBK" 系列
- 侧边锁固螺丝与键槽呈 90 度, 确保镗孔切削完毕时的相对位置
- 锁固时请使用螺丝防卡油防止因镗孔加工扭力过大, 导致螺丝卡死难以拆卸组装
- 拉钉须另行购买

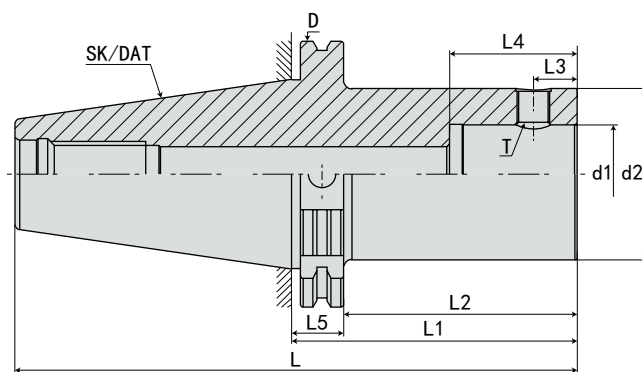
规格说明:



Features:

- Internal tolerance is H6.
- The entire through hole, favors the water leakage and quakeproof.
- May use in common and the mutual capacitance in majority "LBK" Series.
- The side locks the solid screw and the key slot assumes 90 degrees, guaranteed that time the boring cutting function draws back the knife phase.
- Because locks is solid when please do use the screw against card oil to prevent to process the torsion to be oversized boring, Causes the screw deactivation to disassemble the assembly with difficulty.
- The pull stud must purchase alone.

· SK50-LBK 镗头刀柄 SK50-LBK BORING HEAD SHANK



配件 Accessories



| 规格 Model | L | L1 | L2 | L3 | L4 | L5 | D | d2 | d1 | 侧边螺丝 | 重量 KGS |
|---------------|--------|-----|-------|------|----|------|------|----|----|----------|--------|
| SK50-LBK1- 90 | 191.75 | 90 | 70.9 | 5.05 | 30 | 19.1 | 97.5 | 19 | 11 | M4*0.5P | 3.7 |
| - 115 | 216.75 | 115 | 95.9 | 5.05 | 30 | 19.1 | 97.5 | 19 | 11 | M4*0.5P | 3.9 |
| - 145 | 246.75 | 145 | 125.9 | 5.05 | 30 | 19.1 | 97.5 | 19 | 11 | M4*0.5P | 4.4 |
| -LBK2- 90 | 191.75 | 90 | 70.9 | 6.62 | 31 | 19.1 | 97.5 | 24 | 14 | M5*0.5P | 4.5 |
| - 110 | 211.75 | 110 | 90.9 | 6.62 | 31 | 19.1 | 97.5 | 24 | 14 | M5*0.5P | 4 |
| - 140 | 241.75 | 140 | 120.9 | 6.62 | 31 | 19.1 | 97.5 | 24 | 14 | M5*0.5P | 5 |
| -LBK3- 90 | 191.75 | 90 | 70.9 | 8 | 35 | 19.1 | 97.5 | 31 | 18 | M6*0.75P | 4.4 |
| - 125 | 226.75 | 125 | 105.9 | 8 | 35 | 19.1 | 97.5 | 31 | 18 | M6*0.75P | 4.4 |
| - 155 | 256.75 | 155 | 135.9 | 8 | 35 | 19.1 | 97.5 | 31 | 18 | M6*0.75P | 4.6 |
| - 185 | 286.75 | 185 | 165.9 | 8 | 35 | 19.1 | 97.5 | 31 | 18 | M6*0.75P | 4.75 |
| -LBK4- 90 | 191.75 | 90 | 70.9 | 10 | 39 | 19.1 | 97.5 | 39 | 22 | M8*0.75P | 4.6 |
| - 115 | 216.75 | 115 | 95.9 | 10 | 39 | 19.1 | 97.5 | 39 | 22 | M8*0.75P | 4.8 |
| - 145 | 246.75 | 145 | 125.9 | 10 | 39 | 19.1 | 97.5 | 39 | 22 | M8*0.75P | 4.95 |
| - 175 | 276.75 | 175 | 155.9 | 10 | 39 | 19.1 | 97.5 | 39 | 22 | M8*0.75P | 5.1 |
| - 205 | 306.75 | 205 | 185.9 | 10 | 39 | 19.1 | 97.5 | 39 | 22 | M8*0.75P | 5.2 |
| - 250 | 351.75 | 250 | 230.9 | 10 | 39 | 19.1 | 97.5 | 39 | 22 | M8*0.75P | 5.5 |
| - 300 | 401.75 | 300 | 280.9 | 10 | 39 | 19.1 | 97.5 | 39 | 22 | M8*0.75P | 5.6 |

特点:

注:

- 内孔公差 H6
- 整支通孔, 利于出水及抗震
- 可共用并互容于大多数 "LBK" 系列
- 侧边锁固螺丝与键槽呈 90 度, 确保镗孔切削完毕时的相对位置
- 锁固时请使用螺丝防卡油防止因镗孔加工扭力过大, 导致螺丝卡死难以拆卸组装
- 拉钉须另行购买

规格说明:



Features:

- Internal tolerance is H6.
- The entire through hole, favors the water leakage and quakeproof.
- May use in common and the mutual capacitance in majority "LBK" Series.
- The side locks the solid screw and the key slot assumes 90 degrees, guaranteed that time the boring cutting function draws back the knife phase.
- Because locks is solid when please do use the screw against card oil to prevent to process the torsion to be oversized boring, Causes the screw deactivation to disassemble the assembly with difficulty.
- The pull stud must purchase alone.

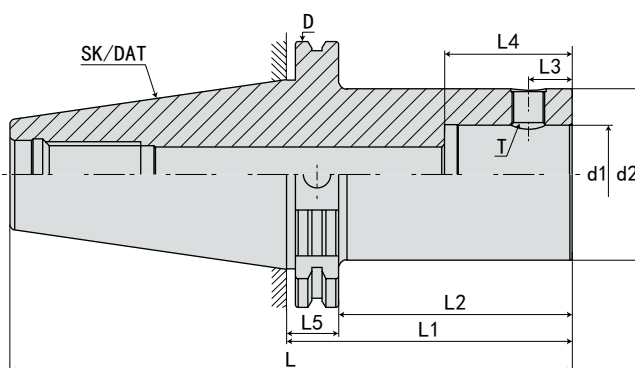
· SK50-LBK 镗头刀柄 SK50-LBK BORING HEAD SHANK



配件 Accessories



» P. J20



| 规格 Model | L | L1 | L2 | L3 | L4 | L5 | D | d2 | d1 | 侧边螺丝 | 重量 KGS |
|---------------|--------|-----|-------|----|----|------|------|----|----|----------|--------|
| SK50-LBK5- 90 | 191.75 | 90 | 70.9 | 13 | 45 | 19.1 | 97.5 | 50 | 28 | M10*1.0P | 5.4 |
| -105 | 206.75 | 105 | 85.9 | 13 | 45 | 19.1 | 97.5 | 50 | 28 | M10*1.0P | 5.5 |
| -150 | 251.75 | 150 | 130.9 | 13 | 45 | 19.1 | 97.5 | 50 | 28 | M10*1.0P | 6 |
| -180 | 281.75 | 180 | 160.9 | 13 | 45 | 19.1 | 97.5 | 50 | 28 | M10*1.0P | 6.2 |
| -240 | 341.75 | 240 | 220.9 | 13 | 45 | 19.1 | 97.5 | 50 | 28 | M10*1.0P | 6.4 |
| -270 | 371.75 | 270 | 250.9 | 13 | 45 | 19.1 | 97.5 | 50 | 28 | M10*1.0P | 6.7 |
| -300 | 401.75 | 300 | 280.9 | 13 | 45 | 19.1 | 97.5 | 50 | 28 | M10*1.0P | 7 |
| -350 | 451.75 | 350 | 330.9 | 13 | 45 | 19.1 | 97.5 | 50 | 28 | M10*1.0P | 7.3 |
| -400 | 501.75 | 400 | 380.9 | 13 | 45 | 19.1 | 97.5 | 50 | 28 | M10*1.0P | 7.6 |
| -LBK6- 90 | 191.75 | 90 | 70.9 | 16 | 55 | 19.1 | 97.5 | 63 | 36 | M12*1.0P | 5.9 |
| -105 | 206.75 | 105 | 85.9 | 16 | 55 | 19.1 | 97.5 | 63 | 36 | M12*1.0P | 6.5 |
| -150 | 251.75 | 150 | 130.9 | 16 | 55 | 19.1 | 97.5 | 63 | 36 | M12*1.0P | 6.7 |
| -170 | 271.75 | 170 | 150.9 | 16 | 55 | 19.1 | 97.5 | 63 | 36 | M12*1.0P | 6.9 |
| -180 | 281.75 | 180 | 160.9 | 16 | 55 | 19.1 | 97.5 | 63 | 36 | M12*1.0P | 7 |
| -230 | 331.75 | 230 | 210.9 | 16 | 55 | 19.1 | 97.5 | 63 | 36 | M12*1.0P | 7.45 |
| -270 | 371.75 | 270 | 250.9 | 16 | 55 | 19.1 | 97.5 | 63 | 36 | M12*1.0P | 8.2 |
| -300 | 401.75 | 300 | 280.9 | 16 | 55 | 19.1 | 97.5 | 63 | 36 | M12*1.0P | 9.5 |
| -350 | 451.75 | 350 | 330.9 | 16 | 55 | 19.1 | 97.5 | 63 | 36 | M12*1.0P | 10.8 |
| -400 | 501.75 | 400 | 380.9 | 16 | 55 | 19.1 | 97.5 | 63 | 36 | M12*1.0P | 11.3 |
| -450 | 551.75 | 450 | 430.9 | 16 | 55 | 19.1 | 97.5 | 63 | 36 | M12*1.0P | 11.8 |
| -500 | 601.75 | 500 | 480.9 | 16 | 55 | 19.1 | 97.5 | 63 | 36 | M12*1.0P | 12.3 |

特点:

注:

- 内孔公差 H6
- 整支通孔，利于出水及抗震
- 可共用并互容于大多数“LBK”系列
- 侧边锁固螺丝与键槽呈 90 度，确保镗孔切削完毕时的相对位置
- 锁固时请使用螺丝防卡油防止因镗孔加工扭力过大，导致螺丝卡死难以拆卸组装
- 拉钉须另行购买

规格说明:

SK50 - LBK - 5 - 90

- L1 长度 Length (L)
- 接口锥度 Taper No. of cutter
- 功能代号 Face mill holder type
- 锥柄形式 Shank size

Features:

Internal tolerance is H6.

The entire through hole, favors the water leakage and quakeproof.

May use in common and the mutual capacitance in majority "LBK" Series.

The side locks the solid screw and the key slot assumes 90 degrees, guaranteed that time the boring cutting function draws back the knife phase.

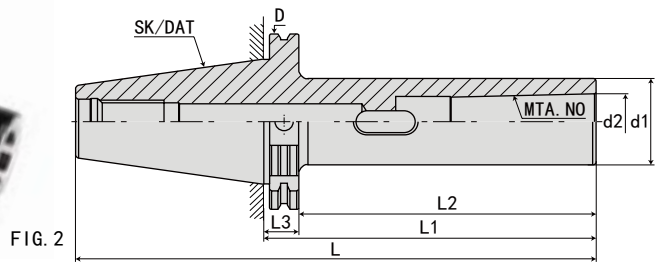
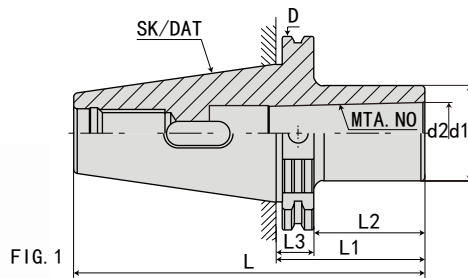
Because locks is solid when please do use the screw against card oil to prevent to process the torsion to be oversized boring, Causes the screw deactivation to disassemble the assembly with difficulty.

The pull stud must purchase alone.

· SK-MTA 带扁尾莫氏刀柄 SK-MTA TAPER ADAPTER(MORSE)



配件 Accessories
» P. J20



| 规格 Model | FIG | L | L1 | L2 | L3 | d1 | d2 | D | 夹持钻头范围 | 重量 KGS |
|---------------|-----|--------|-----|-----|------|----|--------|-------|---------|--------|
| SK30-MTA1- 50 | 1 | 97.8 | 50 | 31 | 19.1 | 25 | 12.065 | 50 | 2- 14 | 0.55 |
| - MTA2- 60 | 1 | 107.8 | 60 | 41 | 19.1 | 32 | 17.780 | 50 | 14- 23 | 0.80 |
| - MTA3- 75 | 1 | 122.8 | 70 | 51 | 19.1 | 40 | 23.825 | 50 | 23- 32 | 1 |
| SK40-MTA1- 50 | 1 | 118.4 | 50 | 31 | 19.1 | 25 | 12.065 | 63.55 | 2- 14 | 1.2 |
| - MTA2- 50 | 1 | 118.4 | 50 | 31 | 19.1 | 32 | 17.780 | 63.55 | 14- 23 | 1 |
| - MTA3- 70 | 1 | 138.4 | 70 | 51 | 19.1 | 40 | 23.825 | 63.55 | 23- 32 | 1.10 |
| - MTA4- 95 | 1 | 163.4 | 95 | 71 | 19.1 | 48 | 31.267 | 63.55 | 32- 50 | 1.35 |
| SK50-MTA1- 45 | 1 | 146.75 | 45 | 26 | 19.1 | 25 | 12.065 | 97.5 | 2- 14 | 3 |
| -120 | 2 | 221.75 | 120 | 101 | 19.1 | 25 | 12.065 | 97.5 | 2- 14 | 4.6 |
| - MTA2- 60 | 1 | 161.75 | 60 | 41 | 19.1 | 32 | 17.780 | 97.5 | 14- 23 | 3.1 |
| -135 | 2 | 236.75 | 135 | 116 | 19.1 | 32 | 17.780 | 97.5 | 14- 23 | 4.8 |
| -180 | 2 | 281.75 | 180 | 161 | 19.1 | 32 | 17.780 | 97.5 | 14- 23 | 5 |
| - MTA3- 65 | 1 | 166.75 | 65 | 46 | 19.1 | 40 | 23.825 | 97.5 | 23- 32 | 3.2 |
| -150 | 2 | 251.75 | 150 | 131 | 19.1 | 40 | 23.825 | 97.5 | 23- 32 | 5 |
| -180 | 2 | 281.75 | 180 | 161 | 19.1 | 40 | 23.825 | 97.5 | 23- 32 | 5.2 |
| - MTA4- 75 | 1 | 176.75 | 75 | 56 | 19.1 | 48 | 31.267 | 97.5 | 32- 50 | 3.2 |
| - 95 | 1 | 196.75 | 95 | 76 | 19.1 | 48 | 31.267 | 97.5 | 32- 50 | 3.4 |
| -180 | 2 | 281.75 | 180 | 161 | 19.1 | 48 | 31.267 | 97.5 | 32- 50 | 5.5 |
| - MTA5-105 | 1 | 206.75 | 105 | 86 | 19.1 | 65 | 44.399 | 97.5 | 50- 75 | 3.6 |
| -200 | 2 | 301.75 | 200 | 181 | 19.1 | 65 | 44.399 | 97.5 | 50- 75 | 7.2 |
| - MTA6-200 | 1 | 301.75 | 200 | 181 | 19.1 | 85 | 63.348 | 97.5 | 75- 100 | 5.2 |
| -280 | 2 | 381.75 | 280 | 261 | 19.1 | 85 | 63.348 | 97.5 | 75- 100 | 10 |

特点:

注:

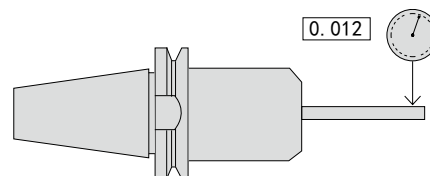
- 本体锥柄规格: DIN69871-A 或 GB10944
- 刀柄用于带扁尾莫氏锥柄刀具、钻头、铰刀等
- 钻头莫氏柄
- 拉钉须另行购买

规格说明:



Features:

- Spindle conicity standard: DIN69871A or GB10944
- Used in Morse conicity tools, drill chuck, reamer and so on.
- Dimensions
- The pull stud must purchase alone.



· SK-MTB 无扁尾莫氏刀柄

SK-MTB MORSE TAPER HOLDER



配件 Accessories



» P. J20

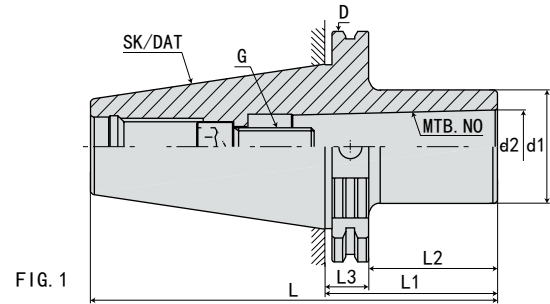


FIG. 1

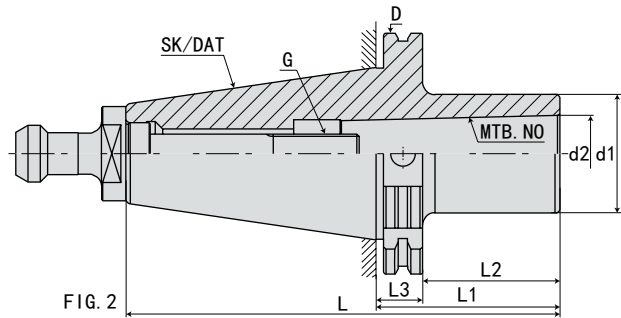


FIG. 2

| 规格 Model | FIG | L | L1 | L2 | L3 | d1 | d2 | D | 夹持铣刀范围 | 重量 KGS |
|---------------|-----|--------|-----|-----|------|----|--------|-------|----------|--------|
| SK30-MTB1- 50 | 1 | 97.8 | 50 | 31 | 19.1 | 25 | 12.065 | 50 | 10 - 14 | 0.55 |
| -MTB2- 60 | 1 | 107.8 | 60 | 41 | 19.1 | 32 | 17.780 | 50 | 16 - 22 | 0.80 |
| -MTB3- 75 | 2 | 122.8 | 70 | 51 | 19.1 | 40 | 23.825 | 50 | 24 - 32 | 1 |
| SK40-MTB1- 50 | 1 | 118.4 | 50 | 31 | 19.1 | 25 | 12.065 | 63.55 | 10 - 14 | 1.2 |
| -MTB2- 50 | 1 | 118.4 | 50 | 31 | 19.1 | 32 | 17.780 | 63.55 | 16 - 22 | 1 |
| -MTB3- 70 | 1 | 138.4 | 70 | 51 | 19.1 | 40 | 23.825 | 63.55 | 24 - 32 | 1.10 |
| -MTB4- 95 | 2 | 163.4 | 95 | 71 | 19.1 | 48 | 31.267 | 63.55 | 32 - 50 | 1.35 |
| SK50-MTB1- 45 | 1 | 146.75 | 45 | 26 | 19.1 | 25 | 12.065 | 97.5 | 10 - 14 | 3 |
| -120 | 1 | 221.75 | 120 | 101 | 19.1 | 25 | 12.065 | 97.5 | 10 - 14 | 4.6 |
| -MTB2- 60 | 1 | 161.75 | 60 | 41 | 19.1 | 32 | 17.780 | 97.5 | 16 - 22 | 3.1 |
| -135 | 1 | 236.75 | 135 | 116 | 19.1 | 32 | 17.780 | 97.5 | 16 - 22 | 4.8 |
| -180 | 1 | 281.75 | 180 | 161 | 19.1 | 32 | 17.780 | 97.5 | 16 - 22 | 5 |
| -MTB3- 65 | 1 | 166.75 | 65 | 46 | 19.1 | 40 | 23.825 | 97.5 | 24 - 32 | 3.2 |
| -150 | 1 | 251.75 | 150 | 131 | 19.1 | 40 | 23.825 | 97.5 | 24 - 32 | 5 |
| -180 | 1 | 281.75 | 180 | 161 | 19.1 | 40 | 23.825 | 97.5 | 24 - 32 | 5.2 |
| -MTB4- 75 | 1 | 176.75 | 75 | 56 | 19.1 | 48 | 31.267 | 97.5 | 32 - 50 | 3.2 |
| - 95 | 1 | 196.75 | 95 | 76 | 19.1 | 48 | 31.267 | 97.5 | 32 - 50 | 3.4 |
| -180 | 1 | 281.75 | 180 | 161 | 19.1 | 48 | 31.267 | 97.5 | 32 - 50 | 5.5 |
| -MTB5-105 | 1 | 206.75 | 105 | 86 | 19.1 | 65 | 44.399 | 97.5 | 40 - 75 | 3.6 |
| -200 | 1 | 301.75 | 200 | 181 | 19.1 | 65 | 44.399 | 97.5 | 40 - 75 | 7.2 |
| -MTB6-175 | 1 | 276.75 | 175 | 156 | 19.1 | 85 | 63.348 | 97.5 | 75 - 100 | 5.2 |
| -280 | 1 | 381.75 | 280 | 261 | 19.1 | 85 | 63.348 | 97.5 | 75 - 100 | 10 |

特点:

注:

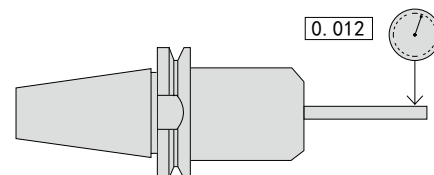
- ◎ 本體錐柄規格: DIN69871-A 或 GB10944
- ◎ 刀柄用于莫氏錐柄銑刀
- ◎ 用于夾持莫氏錐度、尾端附內螺紋的切削刀具或是延長杆
- ◎ 拉釘須另行購買

规格说明:

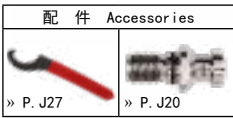
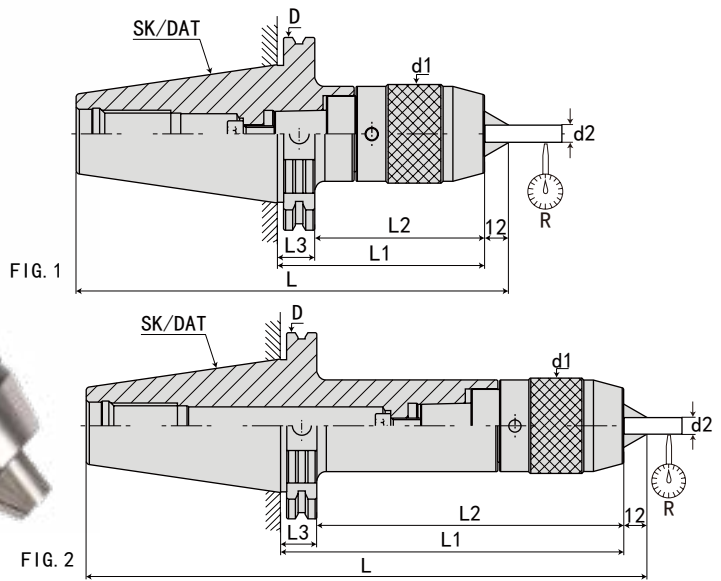
- SK30 - MTB - 1 - 50
- SK30: 錐柄形式 Shank size
 - MTB: 无扁尾莫氏錐孔 Morse taper holder type B
 - 1: 莫氏錐度号 Morse taper No.
 - 50: L1 长度 Length (L)

Features:

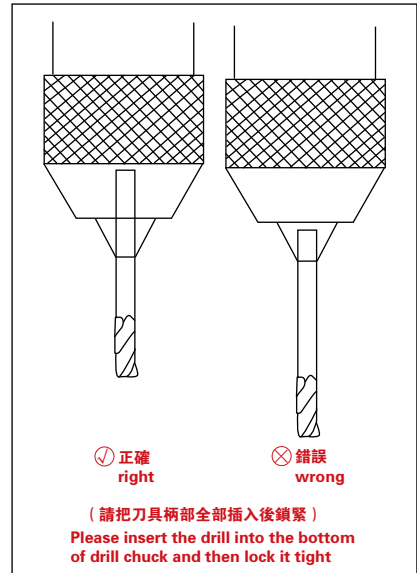
- ◎ Spindle conicity standard: DIN69871A or GB10944
- ◎ Dimensions
- ◎ Uses in supporting on both sides not-like the taper, end to attach the box thread the cutting tool perhaps lengthens the pole.
- ◎ The pull stud must purchase alone.



· SK-APU 一体式钻夹头刀柄 SK-APU DRILL CHUCK HOLDER



| 规格 Model | L1 | L | L2 | L3 | d1 | d2 | D | R | 重量 KGS |
|---------------|-----|-------|-----|----|----|----|-------|------|--------|
| SK40-APU08-85 | 85 | 162.4 | 58 | 16 | 37 | 6 | 63.55 | 0.08 | 1.46 |
| -APU13-110 | 110 | 187.4 | 83 | 16 | 50 | 13 | 63.55 | 0.08 | 2 |
| -150 | 110 | 187.4 | 93 | 16 | 57 | 16 | 63.55 | 0.08 | 2.35 |
| -APU16-110 | 150 | 227.4 | 83 | 16 | 50 | 13 | 63.55 | 0.08 | 2.3 |
| -150 | 150 | 227.4 | 93 | 16 | 57 | 16 | 63.55 | 0.08 | 2.5 |
| SK50-APU08-90 | 90 | 203.8 | 52 | 16 | 37 | 6 | 97.5 | 0.08 | 4.16 |
| -APU13-105 | 105 | 218.8 | 67 | 16 | 50 | 13 | 97.5 | 0.08 | 4.7 |
| -120 | 120 | 233.8 | 92 | 16 | 50 | 13 | 97.5 | 0.08 | 5.5 |
| -180 | 180 | 293.8 | 142 | 16 | 50 | 13 | 97.5 | 0.08 | 5.85 |
| -APU16-105 | 105 | 218.8 | 67 | 16 | 57 | 16 | 97.5 | 0.08 | 5.03 |
| -120 | 120 | 233.8 | 92 | 16 | 57 | 16 | 97.5 | 0.08 | 5.35 |
| -180 | 180 | 293.8 | 142 | 16 | 57 | 16 | 97.5 | 0.08 | 5.85 |



特点:

注:

一体式结构, 减少了连接误差精度, 内部用螺纹结构, 就不会出现夹头脱落现象

用于钻头、铰刀等夹持, 不可用于丝锥和铣刀夹持

一体刀柄缩短刀具长度, 提高加工精度, 增加使用寿命

有自锁功能, 附带专用扳手, 请勿用其它工具

APU 偏摆精度为 0.06, 如需更高精度要求请使用 ER 或 SK 系列

扳手、拉钉须另行购买

Features:

The shank and keyless drill chuck are combined together so as to avoid the drill chuck slipping out for heavy-duty and high speed cutting and improve the precision.

Not be used for gripping draw bolt and milling tools, instead of drill bit and reamer.

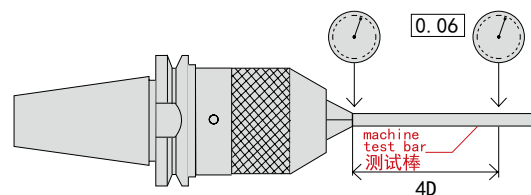
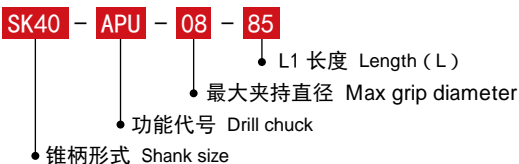
APU drill chuck shorten the length while length the working life of tool.

Each APU drill chuck attached 1pc APU wrench.

The APU leaning precision is 0.06mm, like the need high accuracy request, please use ER or the SK series.

The spanner, pull stud must purchase alone.

规格说明:



· SK-SLN 侧固式刀柄 SK-SLN SIDE LOCK END MILL HOLDER

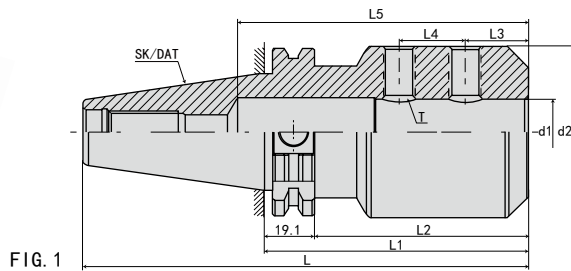


FIG. 1

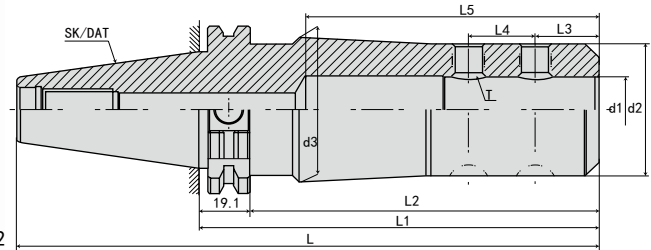
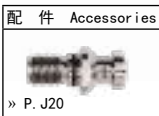


FIG. 2



| 规格 Model | FIG | L | L1 | L2 | L3 | L4 | L5 | d1 | d2 | d3 | T |
|----------------|------|-------|-----|-----|------|----|-----|----|----|----|-----------|
| SK30- SLN6- 50 | FIG1 | 97.8 | 50 | 31 | 18 | - | 50 | 6 | 25 | 25 | M5*0.8P |
| - SLN8- 50 | FIG1 | 97.8 | 50 | 31 | 18 | - | 50 | 8 | 28 | 28 | M6*1.0P |
| -SLN10- 50 | FIG1 | 97.8 | 50 | 31 | 20 | - | 55 | 10 | 35 | 35 | M8*1.25 |
| -SLN12- 50 | FIG1 | 97.8 | 50 | 31 | 22.5 | - | 60 | 12 | 42 | 42 | M10*1.5P |
| -SLN16- 63 | FIG1 | 110.8 | 63 | 44 | 24 | - | 60 | 16 | 45 | 45 | M12*1.75P |
| SK40- SLN6- 50 | FIG1 | 118.4 | 50 | 31 | 18 | - | 50 | 6 | 25 | 25 | M5*0.8P |
| - SLN8- 50 | FIG1 | 118.4 | 50 | 31 | 18 | - | 50 | 8 | 28 | 28 | M6*1.0P |
| -SLN10- 50 | FIG1 | 118.4 | 50 | 31 | 20 | - | 55 | 10 | 35 | 35 | M8*1.25 |
| -SLN12- 50 | FIG1 | 118.4 | 50 | 31 | 22.5 | - | 60 | 12 | 42 | 42 | M10*1.5P |
| -SLN16- 63 | FIG1 | 131.4 | 63 | 44 | 24 | - | 100 | 16 | 45 | 45 | M12*1.75P |
| -100 | FIG1 | 168.4 | 100 | 81 | 22 | 18 | 100 | 16 | 45 | 45 | M12*1.75P |
| -150 | FIG2 | 218.4 | 150 | 131 | 22 | 18 | 100 | 16 | 38 | 48 | M10*1.5P |
| -SLN20- 63 | FIG1 | 131.4 | 63 | 44 | 25 | - | 100 | 20 | 50 | 50 | M12*1.76P |
| -100 | FIG1 | 168.4 | 100 | 81 | 25 | 20 | 100 | 20 | 50 | 50 | M12*1.77P |
| -150 | FIG2 | 218.4 | 150 | 131 | 25 | 20 | 100 | 20 | 45 | 50 | M12*1.77P |
| -SLN25- 100 | FIG1 | 168.4 | 100 | 81 | 24 | 25 | 110 | 25 | 65 | 65 | M12*1.77P |
| -150 | FIG2 | 218.4 | 150 | 131 | 24 | 25 | 110 | 25 | 50 | 55 | M12*1.77P |
| -SLN32- 100 | FIG1 | 168.4 | 100 | 81 | 24 | 28 | 120 | 32 | 70 | 70 | M16*2.0P |
| -150 | FIG2 | 218.4 | 150 | 131 | 24 | 28 | 120 | 32 | 58 | 63 | M16*2.0P |

特点:

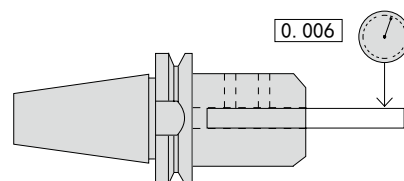
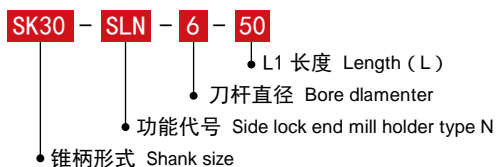
注:

- 本体锥柄规格: DIN69871-A 或 GB10944
- 孔径公差 H5
- 刚性夹持, 用于重切削
- 侧固式刀柄被用作刀具的工具刀柄
- 装入刀具时, 刀具的槽口平面部分与刀柄的侧固螺钉对齐, 强力锁定
- 拉钉须另行购买

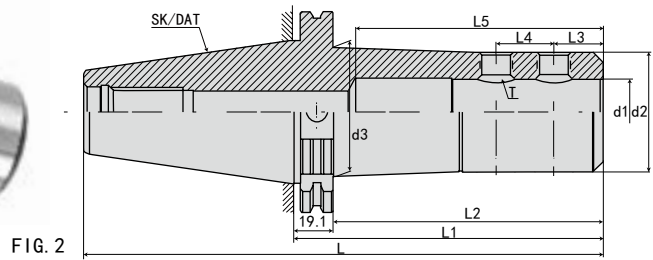
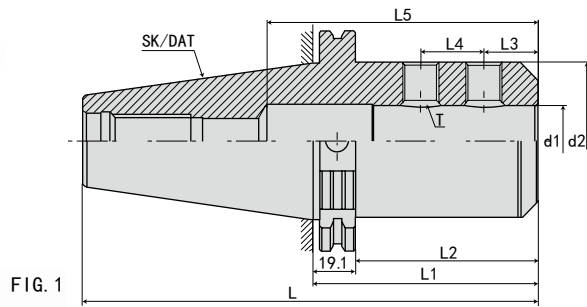
Features:

- Spindle conicity standard: JDIN69871A or GB10944
- Aperture tolerance: H5.
- Used for remachining with rigidly grip.
- Face mill chuck used to be the holder of cutting tools.
- When attaching, cutting tools, with strong side aligned lock between the plane of the part and notch solid screws.
- The pull stud must purchase alone.

规格说明:



· SK50-SLN 侧固式刀柄 SK50-SLN SIDE LOCK END MILL HOLDER



| 规格 Model | FIG | L | L1 | L2 | L3 | L4 | L5 | d1 | d2 | d3 | T |
|--------------|------|--------|-----|-----|------|----|-----|----|----|----|-----------|
| SK50-SLN6-63 | FIG1 | 164.75 | 63 | 44 | 18 | - | 50 | 6 | 25 | 25 | M5*0.8P |
| -100 | FIG1 | 201.75 | 100 | 81 | 18 | 18 | 50 | 6 | 25 | 25 | M5*0.8P |
| -SLN8-63 | FIG1 | 164.75 | 63 | 44 | 18 | - | 50 | 8 | 28 | 28 | M6*1.0P |
| -100 | FIG1 | 201.75 | 100 | 81 | 18 | 18 | 50 | 8 | 28 | 28 | M6*1.0P |
| -SLN10-63 | FIG1 | 164.75 | 63 | 44 | 20 | 18 | 55 | 10 | 35 | 35 | M8*1.25 |
| -100 | FIG1 | 201.75 | 100 | 81 | 20 | 18 | 55 | 10 | 35 | 35 | M8*1.25 |
| -SLN12-63 | FIG1 | 164.75 | 63 | 44 | 22.5 | 18 | 60 | 12 | 42 | 42 | M10*1.5P |
| -100 | FIG1 | 201.75 | 100 | 81 | 22.5 | 18 | 60 | 12 | 42 | 42 | M10*1.5P |
| -SLN16-63 | FIG1 | 164.75 | 63 | 44 | 24 | - | 100 | 16 | 45 | 45 | M12*1.75P |
| -100 | FIG1 | 201.75 | 100 | 81 | 22 | 18 | 100 | 16 | 45 | 45 | M12*1.75P |
| -150 | FIG2 | 251.75 | 150 | 131 | 22 | 18 | 100 | 16 | 38 | 45 | M10*1.5P |
| -SLN20-63 | FIG1 | 164.75 | 63 | 44 | 25 | - | 100 | 20 | 50 | 50 | M12*1.75P |
| -100 | FIG1 | 201.75 | 100 | 81 | 25 | 20 | 100 | 20 | 50 | 50 | M12*1.75P |
| -150 | FIG2 | 251.75 | 150 | 131 | 25 | 20 | 100 | 20 | 45 | 50 | M12*1.75P |

特点:

注:

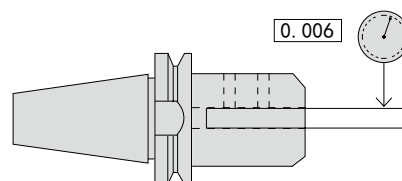
- 本体锥柄规格: DIN69871-A 或 GB10944
- 孔径公差 H5
- 刚性夹持, 用于重切削
- 侧固式刀柄被用作刀具的工具刀柄
- 装入刀具时, 刀具的槽口平面部分与刀柄的侧固螺钉对齐, 强力锁定
- 拉钉须另行购买

Features:

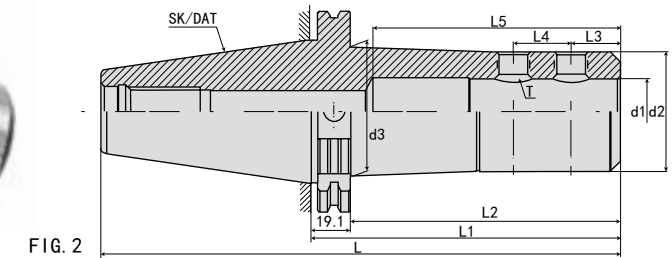
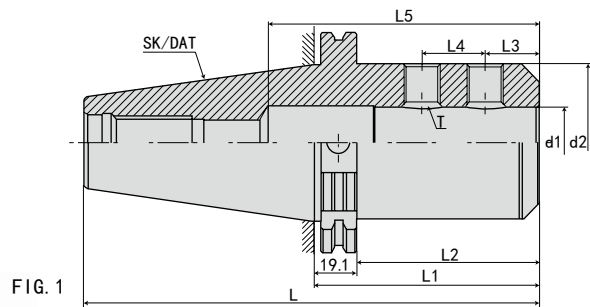
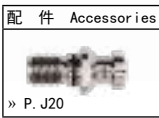
- Spindle conicity standard: JDIN69871A or GB10944
- Aperture tolerance: H5.
- Used for remachining with rigidly grip.
- Face mill chuck used to be the holder of cutting tools.
- When attaching, cutting tools, with strong side aligned lock between the plane of the part and notch solid screws.
- The pull stud must purchase alone.

规格说明:

- SK50 - SLN - 6 - 63
- SK50: 锥柄形式 Shank size
 - SLN: 功能代号 Side lock end mill holder type N
 - 6: 刀杆直径 Bore diameter
 - 63: L1 长度 Length (L)



· SK50-SLN 侧固式刀柄 SK50-SLN SIDE LOCK END MILL HOLDER



| 规格 Model | FIG | L | L1 | L2 | L3 | L4 | L5 | d1 | d2 | d3 | T |
|---------------|------|--------|-----|-----|----|----|-----|------|----|----|-----------|
| SK50-SLN25-80 | FIG1 | 181.75 | 80 | 61 | 24 | - | 110 | 25 | 65 | 65 | M12*1.75P |
| -100 | FIG1 | 201.75 | 100 | 81 | 24 | 25 | 110 | 25 | 65 | 65 | M12*1.75P |
| -150 | FIG2 | 251.75 | 150 | 131 | 24 | 25 | 110 | 25 | 50 | 55 | M12*1.75P |
| -SLN32-100 | FIG1 | 201.75 | 100 | 81 | 24 | 28 | 120 | 32 | 70 | 70 | M16*2.0P |
| -150 | FIG2 | 251.75 | 150 | 131 | 24 | 28 | 120 | 32 | 58 | 63 | M16*2.0P |
| -200 | FIG2 | 301.75 | 200 | 181 | 24 | 28 | 120 | 32 | 58 | 63 | M16*2.0P |
| -SLN40-115 | FIG1 | 216.75 | 115 | 96 | 30 | 32 | 120 | 40 | 80 | 80 | M20*2.0P |
| -150 | FIG2 | 251.75 | 150 | 131 | 30 | 32 | 120 | 40 | 70 | 75 | M16*2.0P |
| -200 | FIG2 | 301.75 | 200 | 181 | 30 | 32 | 120 | 40 | 70 | 75 | M16*2.0P |
| -SLN42-100 | FIG1 | 201.75 | 100 | 81 | 30 | 32 | 120 | 42 | 80 | 80 | M20*2.0P |
| -150 | FIG2 | 251.75 | 150 | 131 | 30 | 32 | 120 | 42 | 75 | 80 | M16*2.0P |
| -200 | FIG2 | 301.75 | 200 | 181 | 30 | 32 | 120 | 42 | 75 | 80 | M16*2.0P |
| -SLN50-120 | FIG1 | 221.75 | 120 | 101 | 35 | 35 | 120 | 50 | 90 | 90 | M20*2.0P |
| -150 | FIG1 | 251.75 | 150 | 131 | 35 | 35 | 120 | 50 | 85 | 90 | M20*2.0P |
| -SLN50.8-120 | FIG1 | 221.75 | 120 | 101 | 35 | 35 | 120 | 50.8 | 90 | 90 | M20*2.0P |
| -150 | FIG1 | 251.75 | 150 | 131 | 35 | 35 | 120 | 50.8 | 85 | 90 | M20*2.0P |

特点:

注:

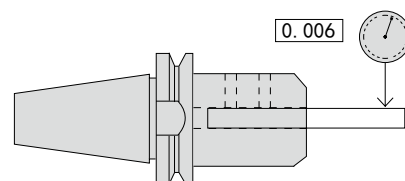
- 本体锥柄规格: DIN69871-A 或 GB10944
- 孔径公差 H5
- 刚性夹持, 用于重切削
- 侧固式刀柄被用作刀具的工具刀柄
- 装入刀具时, 刀具的槽口平面部分与刀柄的侧固螺钉对齐, 强力锁定
- 拉钉须另行购买

Features:

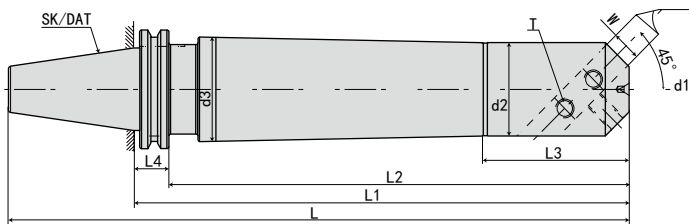
- Spindle conicity standard: JDIN69871A or GB10944
- Aperture tolerance: H5.
- Used for remachining with rigidly grip.
- Face mill chuck used to be the holder of cutting tools.
- When attaching, cutting tools, with strong side aligned lock between the plane of the part and notch solid screws.
- The pull stud must purchase alone.



规格说明:

- SK50 - SLN - 25 - 80
- SK50: 锥柄形式 Shank size
 - SLN: 功能代号 Side lock end mill holder type N
 - 25: 刀杆直径 Bore diameter
 - 80: L1 长度 Length (L)



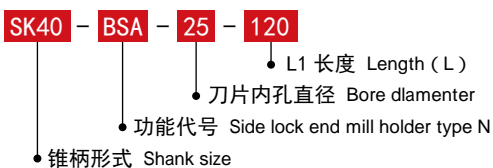
· SK-BSA 45° 粗镗刀杆 (盲孔) SK-BSA 45° DEGREE SLANT-INSERTED TYPE ROUGH BORING HOLDERS



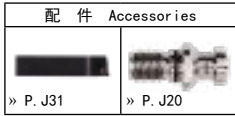
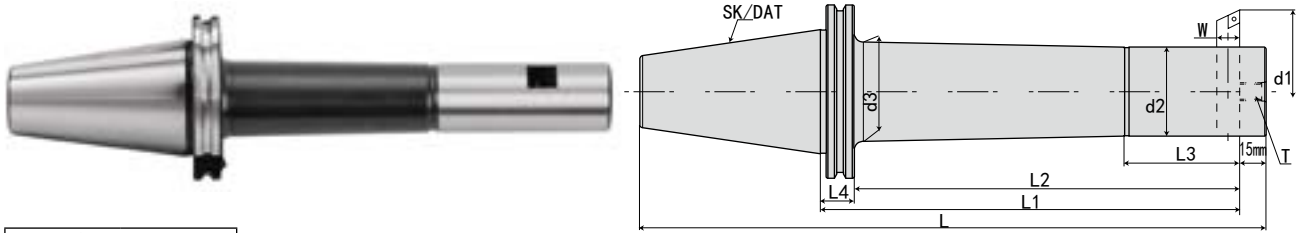
| 配件 Accessories | |
|---|---|
|  |  |
| » P. J31 | » P. J20 |

| 规格 / 型号 Model | d1 | | d2 | d3 | D | L | L1 | L2 | L3 | L4 | W | T | 重量 KGS |
|-----------------|-------|-------|-----|-----|-------|--------|-----|-------|-----|------|----|-----------|--------|
| | 最小加工孔 | 最大加工孔 | | | | | | | | | | | |
| SK40-BSA25 -120 | 25 | 38 | 20 | 22 | 63.55 | 188.4 | 120 | 100.9 | 35 | 19.1 | 8 | M6*1.0P | 1.2 |
| -BSA30 -150 | 30 | 42 | 24 | 26 | 63.55 | 218.4 | 150 | 130.9 | 40 | 19.1 | 8 | M6*1.0P | 1.4 |
| -BSA38 -165 | 38 | 52 | 30 | 33 | 63.55 | 233.4 | 165 | 145.9 | 50 | 19.1 | 10 | M8*1.25P | 1.7 |
| -BSA42 -165 | 42 | 56 | 34 | 37 | 63.55 | 233.4 | 165 | 145.9 | 60 | 19.1 | 10 | M8*1.25P | 2 |
| -BSA50 -165 | 50 | 65 | 40 | 44 | 63.55 | 233.4 | 165 | 145.9 | 65 | 19.1 | 13 | M10*1.5P | 2.3 |
| -220 | 50 | 65 | 40 | 44 | 63.55 | 288.4 | 220 | 200.9 | 65 | 19.1 | 13 | M10*1.5P | 2.8 |
| -BSA62 -180 | 62 | 90 | 50 | 56 | 63.55 | 248.4 | 180 | 160.9 | 80 | 19.1 | 16 | M10*1.5P | 2.4 |
| -220 | 62 | 90 | 50 | 56 | 63.55 | 288.4 | 220 | 200.9 | 80 | 19.1 | 16 | M10*1.5P | 2.9 |
| -BSA72 -180 | 72 | 110 | 60 | / | 63.55 | 248.4 | 180 | 160.9 | 95 | 19.1 | 19 | M10*1.5P | 3.9 |
| -220 | 72 | 110 | 60 | 66 | 63.55 | 288.4 | 220 | 200.9 | 95 | 19.1 | 19 | M10*1.5P | 4.4 |
| -BSA90 -180 | 90 | 125 | 75 | / | 63.55 | 248.4 | 180 | 160.9 | 110 | 19.1 | 19 | M12*1.75P | 5.2 |
| -220 | 90 | 125 | 75 | 80 | 63.55 | 288.4 | 220 | 200.9 | 110 | 19.1 | 19 | M12*1.75P | 5.7 |
| SK50-BSA25 -135 | 25 | 38 | 20 | 22 | 97.5 | 236.75 | 135 | 115.9 | 35 | 19.1 | 8 | M6*1.0P | 4.2 |
| -185 | 25 | 38 | 20 | 22 | 97.5 | 286.75 | 185 | 165.9 | 35 | 19.1 | 8 | M6*1.0P | 4.4 |
| -BSA30 -165 | 30 | 42 | 24 | 26 | 97.5 | 266.75 | 165 | 145.9 | 40 | 19.1 | 8 | M6*1.0P | 4.4 |
| -BSA38 -180 | 38 | 52 | 30 | 33 | 97.5 | 281.75 | 180 | 160.9 | 50 | 19.1 | 10 | M8*1.25P | 4.8 |
| -240 | 38 | 52 | 30 | 33 | 97.5 | 341.75 | 240 | 220.9 | 50 | 19.1 | 10 | M8*1.25P | 5 |
| -BSA42 -210 | 42 | 56 | 34 | 37 | 97.5 | 311.75 | 210 | 190.9 | 60 | 19.1 | 10 | M8*1.25P | 5 |
| -BSA50 -180 | 50 | 65 | 40 | 44 | 97.5 | 281.75 | 180 | 160.9 | 65 | 19.1 | 13 | M10*1.5P | 5.4 |
| -240 | 50 | 65 | 40 | 44 | 97.5 | 341.75 | 240 | 220.9 | 65 | 19.1 | 13 | M10*1.5P | 5.7 |
| -300 | 50 | 65 | 40 | 44 | 97.5 | 401.75 | 300 | 280.9 | 65 | 19.1 | 13 | M10*1.5P | 6 |
| -BSA62 -195 | 62 | 90 | 50 | 56 | 97.5 | 296.75 | 195 | 175.9 | 80 | 19.1 | 16 | M10*1.5P | 6.2 |
| -270 | 62 | 90 | 50 | 56 | 97.5 | 371.75 | 270 | 250.9 | 80 | 19.1 | 16 | M10*1.5P | 7.6 |
| -350 | 62 | 90 | 50 | 56 | 97.5 | 451.75 | 350 | 330.9 | 80 | 19.1 | 16 | M10*1.5P | 9 |
| -400 | 62 | 90 | 50 | 56 | 97.5 | 501.75 | 400 | 380.9 | 80 | 19.1 | 16 | M10*1.5P | 10.4 |
| -BSA72 -195 | 72 | 110 | 60 | 66 | 97.5 | 296.75 | 195 | 175.9 | 95 | 19.1 | 19 | M10*1.5P | 7 |
| -285 | 72 | 110 | 60 | 66 | 97.5 | 386.75 | 285 | 265.9 | 95 | 19.1 | 19 | M10*1.5P | 9.2 |
| -350 | 72 | 110 | 60 | 66 | 97.5 | 451.75 | 350 | 330.9 | 95 | 19.1 | 19 | M10*1.5P | 10.8 |
| -400 | 72 | 110 | 60 | 66 | 97.5 | 501.75 | 400 | 380.9 | 95 | 19.1 | 19 | M10*1.5P | 12.4 |
| -BSA90 -210 | 90 | 125 | 75 | 80 | 97.5 | 311.75 | 210 | 190.9 | 110 | 19.1 | 19 | M12*1.75P | 9.3 |
| -300 | 90 | 125 | 75 | 80 | 97.5 | 401.75 | 300 | 280.9 | 110 | 19.1 | 19 | M12*1.75P | 12.3 |
| -350 | 90 | 125 | 75 | 80 | 97.5 | 451.75 | 350 | 330.9 | 110 | 19.1 | 19 | M12*1.75P | 15.3 |
| -BSA105-195 | 105 | 160 | 90 | / | 97.5 | 296.75 | 195 | 175.9 | 130 | 19.1 | 25 | M12*1.75P | 10.7 |
| -285 | 105 | 160 | 90 | 94 | 97.5 | 386.75 | 285 | 265.9 | 130 | 19.1 | 25 | M12*1.75P | 15 |
| -300 | 105 | 160 | 90 | 94 | 97.5 | 401.75 | 300 | 280.9 | 130 | 19.1 | 25 | M12*1.75P | 13.2 |
| -BSA130-255 | 130 | 190 | 110 | / | 97.5 | 356.75 | 255 | 235.9 | 130 | 19.1 | 25 | M12*1.75P | 14.5 |
| -300 | 130 | 190 | 110 | 115 | 97.5 | 401.75 | 300 | 280.9 | 130 | 19.1 | 25 | M12*1.75P | 18.5 |

规格说明:

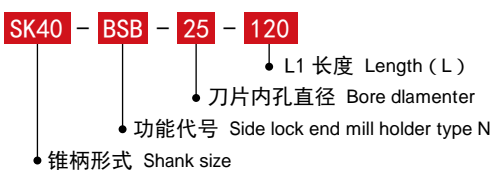


· SK-BSB 90° 粗镗刀杆 (通孔) SK-BSB 90° DEGREE SLANT-INSERTED TYPE ROUGH BORING HOLDERS

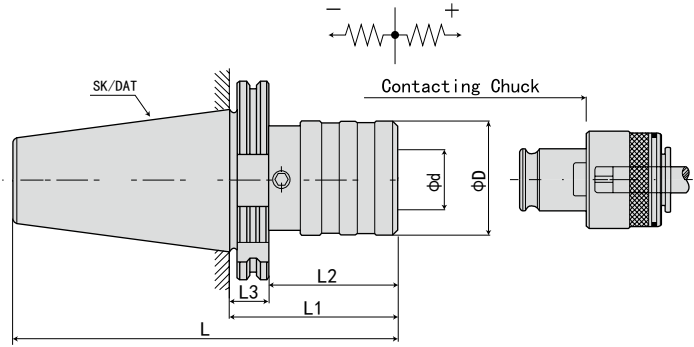
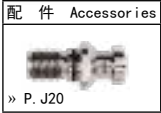


| 规格 / 型号 Model | d1 | | d2 | d3 | D | L | L1 | L2 | L3 | L4 | W | T | 重量 KGS |
|-----------------|-------|-------|-----|-----|-------|--------|-----|-------|-----|------|----|-----------|--------|
| | 最小加工孔 | 最大加工孔 | | | | | | | | | | | |
| SK40-BSB25 -120 | 25 | 52 | 20 | 22 | 63.55 | 203.4 | 120 | 100.9 | 35 | 19.1 | 8 | M6*1.0P | 1.2 |
| -BSB30 -150 | 30 | 57 | 24 | 26 | 63.55 | 233.4 | 150 | 130.9 | 40 | 19.1 | 8 | M6*1.0P | 1.4 |
| -BSB38 -165 | 38 | 70 | 30 | 33 | 63.55 | 248.4 | 165 | 145.9 | 50 | 19.1 | 10 | M8*1.25P | 1.7 |
| -BSB42 -165 | 42 | 74 | 34 | 37 | 63.55 | 248.4 | 165 | 145.9 | 60 | 19.1 | 10 | M8*1.25P | 2 |
| -BSB50 -165 | 50 | 90 | 40 | 44 | 63.55 | 248.4 | 165 | 145.9 | 65 | 19.1 | 13 | M10*1.5P | 2.3 |
| -220 | 50 | 90 | 40 | 44 | 63.55 | 303.4 | 220 | 200.9 | 65 | 19.1 | 13 | M10*1.5P | 2.8 |
| -BSB62 -180 | 62 | 115 | 50 | 56 | 63.55 | 263.4 | 180 | 160.9 | 80 | 19.1 | 16 | M10*1.5P | 2.4 |
| -220 | 62 | 115 | 50 | 56 | 63.55 | 303.4 | 220 | 200.9 | 80 | 19.1 | 16 | M10*1.5P | 2.9 |
| -BSB72 -180 | 72 | 135 | 60 | / | 63.55 | 263.4 | 180 | 160.9 | 95 | 19.1 | 19 | M10*1.5P | 3.9 |
| -220 | 72 | 135 | 60 | 66 | 63.55 | 303.4 | 220 | 200.9 | 95 | 19.1 | 19 | M10*1.5P | 4.4 |
| -BSB90 -180 | 90 | 150 | 75 | / | 63.55 | 263.4 | 180 | 160.9 | 110 | 19.1 | 19 | M12*1.75P | 5.2 |
| -220 | 90 | 150 | 75 | 80 | 63.55 | 303.4 | 220 | 200.9 | 110 | 19.1 | 19 | M12*1.75P | 5.7 |
| SK50-BSB25 -135 | 25 | 52 | 20 | 22 | 97.5 | 251.75 | 135 | 115.9 | 35 | 19.1 | 8 | M6*1.0P | 4.2 |
| -185 | 25 | 52 | 20 | 22 | 97.5 | 301.75 | 185 | 165.9 | 35 | 19.1 | 8 | M6*1.0P | 4.4 |
| -BSB30 -165 | 30 | 57 | 24 | 26 | 97.5 | 281.75 | 165 | 145.9 | 40 | 19.1 | 8 | M6*1.0P | 4.4 |
| -BSB38 -180 | 38 | 70 | 30 | 33 | 97.5 | 296.75 | 180 | 160.9 | 50 | 19.1 | 10 | M8*1.25P | 4.8 |
| -240 | 38 | 70 | 30 | 33 | 97.5 | 356.75 | 240 | 220.9 | 50 | 19.1 | 10 | M8*1.25P | 5 |
| -BSB42 -210 | 42 | 74 | 34 | 37 | 97.5 | 326.75 | 210 | 190.9 | 60 | 19.1 | 10 | M8*1.25P | 5 |
| -BSB50 -180 | 50 | 90 | 40 | 44 | 97.5 | 296.75 | 180 | 160.9 | 65 | 19.1 | 13 | M10*1.5P | 5.4 |
| -240 | 50 | 90 | 40 | 44 | 97.5 | 356.75 | 240 | 220.9 | 65 | 19.1 | 13 | M10*1.5P | 5.7 |
| -300 | 50 | 90 | 40 | 44 | 97.5 | 416.75 | 300 | 280.9 | 65 | 19.1 | 13 | M10*1.5P | 6 |
| -BSB62 -195 | 62 | 115 | 50 | 56 | 97.5 | 311.75 | 195 | 175.9 | 80 | 19.1 | 16 | M10*1.5P | 6.2 |
| -270 | 62 | 115 | 50 | 56 | 97.5 | 386.75 | 270 | 250.9 | 80 | 19.1 | 16 | M10*1.5P | 7.6 |
| -350 | 62 | 115 | 50 | 56 | 97.5 | 466.75 | 350 | 330.9 | 80 | 19.1 | 16 | M10*1.5P | 9 |
| -400 | 62 | 115 | 50 | 56 | 97.5 | 516.75 | 400 | 380.9 | 80 | 19.1 | 16 | M10*1.5P | 10.4 |
| -BSB72 -195 | 72 | 135 | 60 | 66 | 97.5 | 311.75 | 195 | 175.9 | 95 | 19.1 | 19 | M10*1.5P | 7 |
| -285 | 72 | 135 | 60 | 66 | 97.5 | 401.75 | 285 | 265.9 | 95 | 19.1 | 19 | M10*1.5P | 9.2 |
| -350 | 72 | 135 | 60 | 66 | 97.5 | 466.75 | 350 | 330.9 | 95 | 19.1 | 19 | M10*1.5P | 10.8 |
| -400 | 72 | 135 | 60 | 66 | 97.5 | 516.75 | 400 | 380.9 | 95 | 19.1 | 19 | M10*1.5P | 12.4 |
| -BSB90 -210 | 90 | 150 | 75 | 80 | 97.5 | 326.75 | 210 | 190.9 | 110 | 19.1 | 19 | M12*1.75P | 9.3 |
| -300 | 90 | 150 | 75 | 80 | 97.5 | 416.75 | 300 | 280.9 | 110 | 19.1 | 19 | M12*1.75P | 12.3 |
| -350 | 90 | 150 | 75 | 80 | 97.5 | 466.75 | 350 | 330.9 | 110 | 19.1 | 19 | M12*1.75P | 15.3 |
| -BSB105-195 | 105 | 190 | 90 | / | 97.5 | 311.75 | 195 | 175.9 | 130 | 19.1 | 25 | M12*1.75P | 10.7 |
| -285 | 105 | 190 | 90 | 94 | 97.5 | 401.75 | 285 | 265.9 | 130 | 19.1 | 25 | M12*1.75P | 15 |
| -300 | 105 | 190 | 90 | 94 | 97.5 | 416.75 | 300 | 280.9 | 130 | 19.1 | 25 | M12*1.75P | 13.2 |
| -BSB130-255 | 130 | 260 | 110 | / | 97.5 | 371.75 | 255 | 235.9 | 130 | 19.1 | 25 | M12*1.75P | 14.5 |
| -300 | 130 | 260 | 110 | 115 | 97.5 | 416.75 | 300 | 280.9 | 130 | 19.1 | 25 | M12*1.75P | 18.5 |

规格说明:



· SK-TC 伸缩扭力攻丝刀柄 SK-TC TAPPING CHUCK WITH LENGTH COMPENSATION



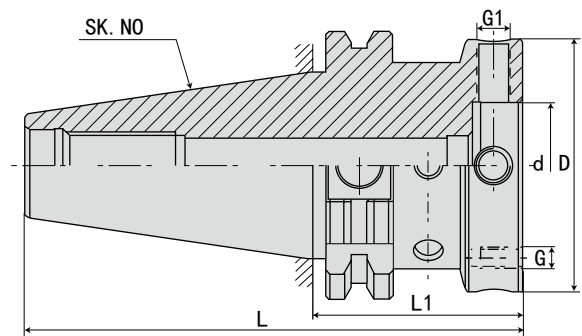
| 规格 Model | 攻牙范围 Gripl range | L | L1 | L2 | L3 | D | d | 夹头名称 Collet name | 重量 KGS |
|---------------|------------------|-------|-----|-------|------|----|----|------------------|--------|
| SK40-TC12- 60 | M3 - M12 | 107.8 | 60 | 40.9 | 19.1 | 36 | 19 | TC312 | |
| -TC20- 100 | M8 - M20 | 147.8 | 100 | 80.9 | 19.1 | 53 | 31 | TC820 | |
| -TC33- 138 | M14 - M33 | 185.8 | 138 | 118.9 | 19.1 | 78 | 48 | TC1433 | |
| SK50-TC12- 62 | M3 - M12 | 109.8 | 62 | 42.9 | 19.1 | 36 | 19 | TC312 | |
| -TC20- 83 | M8 - M20 | 130.8 | 83 | 63.9 | 19.1 | 53 | 31 | TC820 | |
| -TC33- 133 | M14 - M33 | 180.8 | 133 | 113.9 | 19.1 | 78 | 48 | TC1433 | |

规格说明:



· SK-MOD 模块刀柄

SK-MOD MODULAR TOOL HOLDER



配件 Accessories



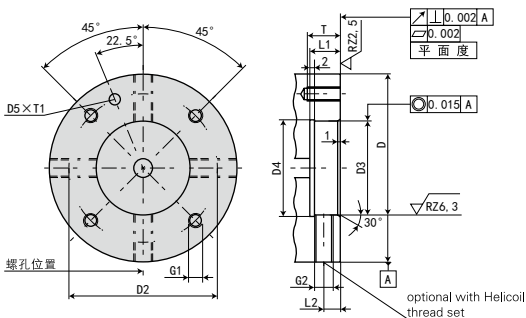
» P. J20

| 规格 Model | L | L1 | D | d | G1 | G | 形式 Form | 重量 KGS |
|-----------------|--------|----|-----|----|----------|----------|---------|--------|
| SK30-MOD060-050 | 97.8 | 50 | 60 | 30 | M8*1.0P | M5*0.8P | AD | 0.8 |
| -MOD070-050 | 97.8 | 50 | 70 | 35 | M8*1.0P | M6*1.0P | AD | 0.9 |
| SK40-MOD060-050 | 118.4 | 50 | 60 | 30 | M8*1.0P | M5*0.8P | AD + B | 1.3 |
| -MOD070-050 | 118.4 | 50 | 70 | 35 | M8*1.0P | M6*1.0P | AD + B | 1.4 |
| -MOD080-055 | 123.4 | 55 | 80 | 40 | M8*1.0P | M6*1.0P | AD + B | 1.7 |
| -MOD100-060 | 128.4 | 60 | 100 | 50 | M10*1.0P | M8*1.25P | AD + B | 2.1 |
| SK45-MOD060-050 | 132.7 | 50 | 60 | 30 | M8*1.0P | M5*0.8P | AD + B | 2.8 |
| -MOD070-050 | 132.7 | 50 | 70 | 35 | M8*1.0P | M6*1.0P | AD + B | 2.9 |
| -MOD080-055 | 137.7 | 55 | 80 | 40 | M8*1.0P | M6*1.0P | AD + B | 3.1 |
| -MOD100-060 | 142.7 | 60 | 100 | 50 | M10*1.0P | M8*1.25P | AD + B | 3.3 |
| -MOD117-060 | 142.7 | 60 | 117 | 60 | M10*1.0P | M8*1.25P | AD + B | 3.5 |
| SK50-MOD060-050 | 151.75 | 50 | 60 | 30 | M8*1.0P | M5*0.8P | AD + B | 3.2 |
| -MOD070-050 | 151.75 | 50 | 70 | 35 | M8*1.0P | M6*1.0P | AD + B | 3.4 |
| -MOD080-050 | 151.75 | 50 | 80 | 40 | M8*1.0P | M6*1.0P | AD + B | 3.6 |
| -MOD100-060 | 156.75 | 60 | 100 | 50 | M10*1.0P | M8*1.25P | AD + B | 4.4 |
| -MOD117-060 | 156.75 | 60 | 117 | 60 | M10*1.0P | M8*1.25P | AD + B | 4.5 |
| -MOD140-060 | 156.75 | 60 | 140 | 80 | M10*1.0P | M8*1.25P | AD + B | 4.7 |

规格说明:

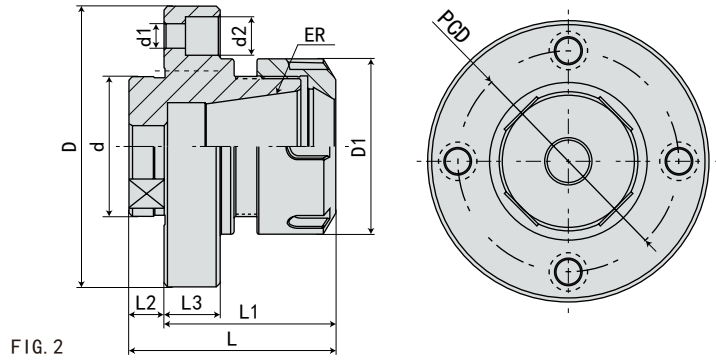
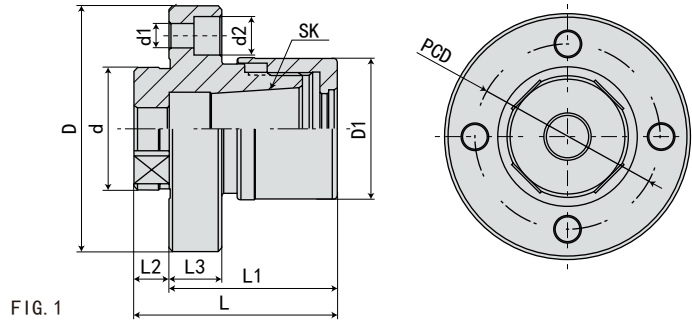
SK30 - MOD - 060 - 050

- L1 长度 Length (L)
- 接口大小 Collect model
- 功能代号 Side lock end mill holder type
- 锥柄形式 Shank size



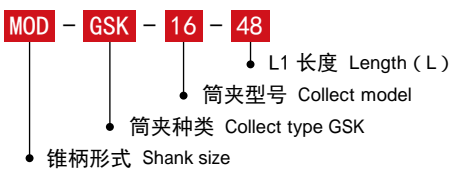
| Nominal size module diameter D | 32 | 40 | 50 | 63 | 80 | 100 | 125 | 160 |
|--------------------------------|------|------|------|-------|-------|-------|-------|-------|
| D2+/-0.1 | 44 | 53 | 63 | 79 | 96 | 119 | 150 | 185 |
| D3F8 | 30 | 35 | 40 | 50 | 60 | 80 | 100 | 120 |
| D4 | 31 | 36 | 41 | 51 | 61 | 81 | 101 | 121 |
| D5 | 4.5 | 5.0 | 5.0 | 5.0 | 6.0 | 6.0 | 6.0 | 6.0 |
| L1 | 12 | 12 | 12 | 14 | 14 | 14 | 24 | 37 |
| L2 | 7 | 7 | 7 | 8 | 8 | 8 | 8 | 8 |
| G1 | M5 | M6 | M6 | M8 | M8 | M10 | M12 | M12 |
| G2 | M8*1 | M8*1 | M8*1 | M10*1 | M10*1 | M10*1 | M10*1 | M10*1 |
| T | 11 | 14 | 14 | 15 | 15 | 18 | 25 | 25 |
| T1+0.5 | 3 | 3.5 | 3.5 | 3.5 | 4.5 | 4.5 | 4.5 | 4.5 |

· MOD 法兰盘 MOD FLANGE PLATE



| 规格 Model | D | D1 | d | d1 | d2 | L | L1 | L2 | L3 | PCD | FIG |
|-----------------|-----|----|-------|----|----|----|----|----|----|-----|-----|
| MOD060-GSK16-48 | 60 | 40 | 29.85 | 6 | 9 | 58 | 48 | 10 | 15 | 44 | 1 |
| MOD070-GSK16-48 | 70 | 40 | 34.85 | 7 | 11 | 58 | 48 | 10 | 15 | 53 | 1 |
| MOD080-GSK16-49 | 80 | 40 | 39.85 | 7 | 11 | 59 | 49 | 10 | 16 | 63 | 1 |
| MOD080-ER32-49 | 80 | 50 | 39.85 | 7 | 11 | 59 | 49 | 10 | 16 | 63 | 2 |
| MOD100-ER40-63 | 100 | 63 | 49.85 | 9 | 14 | 75 | 63 | 12 | 18 | 79 | 2 |

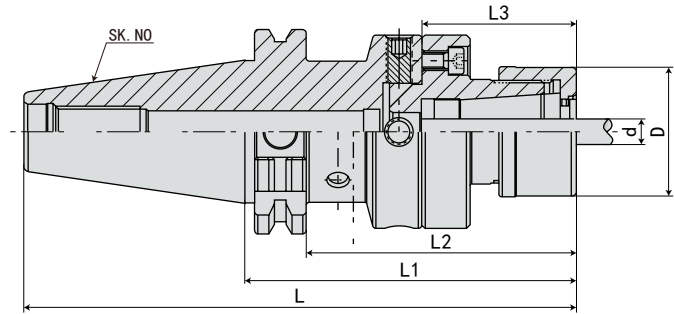
规格说明:



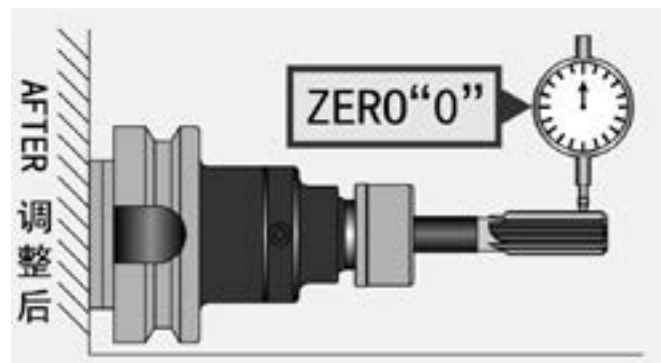
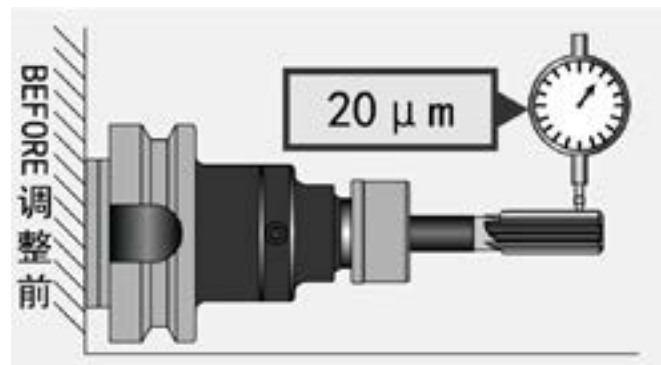
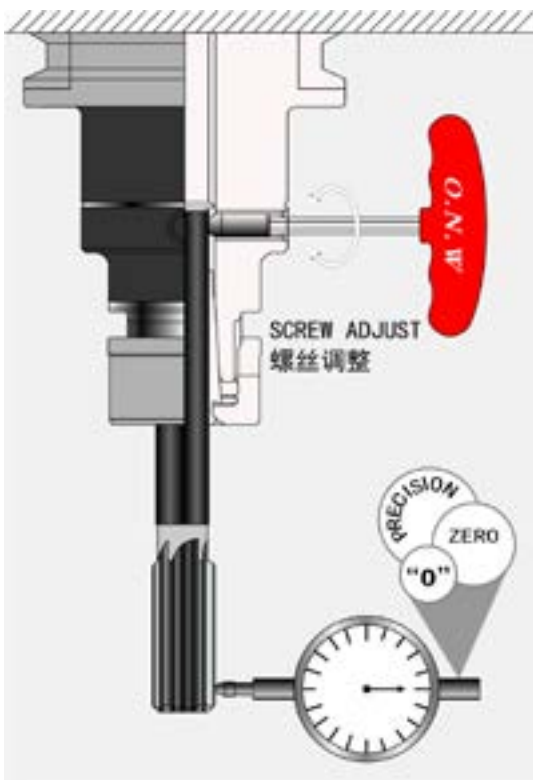
· SK-MOD 可调精度刀柄 (铰刀专用)

SK-MOD ADJUSTABLE CHUCK (REAMER USING)

配件 Accessories



| 规格 Model | L | L1 | L2 | L3 | D | d 夹持范围 Range | 弹性筒夹 Collets |
|----------------------|--------|-----|-----|----|----|--------------|--------------|
| SK30-MOD060-GSK16-98 | 145.8 | 98 | 79 | 48 | 40 | 3-16mm | GSK16 |
| SK40-MOD060-GSK16-98 | 166.4 | 98 | 79 | 48 | 40 | 3-16mm | GSK16 |
| -MOD070-GSK16-98 | 166.4 | 98 | 79 | 48 | 40 | 3-16mm | GSK16 |
| -MOD080-ER32-104 | 172.4 | 104 | 85 | 49 | 50 | 2-20mm | ER32 |
| -MOD080-GSK16-104 | 172.4 | 104 | 85 | 49 | 40 | 3-16mm | GSK16 |
| -MOD100-ER40-123 | 191.4 | 123 | 104 | 63 | 63 | 2-26mm | ER40 |
| SK50-MOD060-GSK16-98 | 199.75 | 98 | 79 | 48 | 40 | 3-16mm | GSK16 |
| -MOD070-GSK16-98 | 199.75 | 98 | 79 | 48 | 40 | 3-16mm | GSK16 |
| -MOD080-ER32-99 | 200.75 | 99 | 80 | 49 | 50 | 2-20mm | ER32 |
| -MOD080-GSK16-99 | 200.75 | 99 | 80 | 49 | 40 | 3-16mm | GSK16 |
| -MOD100-ER40-123 | 224.75 | 123 | 104 | 63 | 63 | 2-26mm | ER40 |



特点:

- 刀尖位置可调至“0”位置
- 机械主轴、夹头、刀具的累计误差值可一次调整纠正

规格说明:

| | | | | | | | | |
|------|---|--------|---|-----|---|----|---|----|
| SK30 | - | MOD060 | - | GSK | - | 16 | - | 98 |
| | | | | | | | | |
| | | | | | | | | |

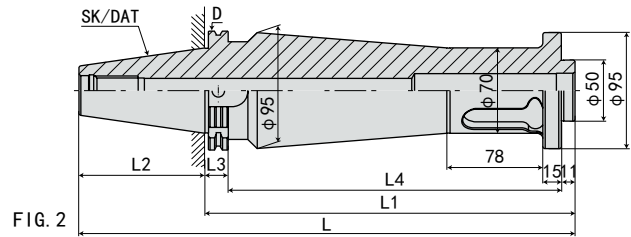
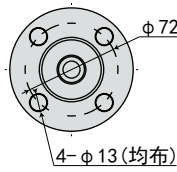
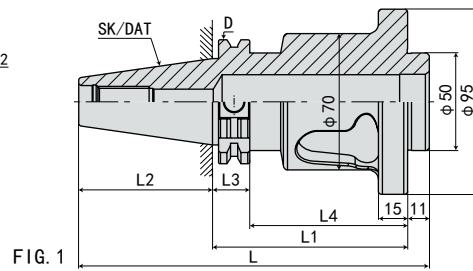
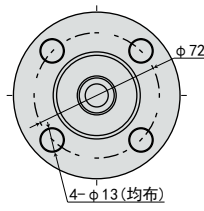
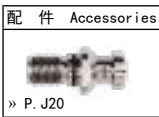
- L1 长度 Length (L)
- 筒夹型号 Collect model
- 筒夹种类 Collect type GSK
- 功能代号 Side lock end mill holder type
- 锥柄形式 Shank size

Features:

- The tool tip position can be adjusted as “0” position.
- The accumulated error value of the spindle, the chuck, and the tool can all be adjusted and corrected at the same time.

· SK-BST 镗孔组合刀柄

SK-BST ROUGH BORING TOOL HOLDER



| 规格 Model | L | L1 | L2 | L3 | L4 | FIG | 重量 KGS |
|--------------|--------|-----|--------|----|-----|-----|--------|
| SK40-BST-100 | 178.4 | 100 | 68.4 | 19 | 81 | 1 | |
| -150 | 228.4 | 150 | 68.4 | 19 | 131 | 1 | |
| -200 | 278.4 | 200 | 68.4 | 19 | 181 | 1 | |
| -250 | 328.4 | 250 | 68.4 | 19 | 231 | 1 | |
| -300 | 378.4 | 300 | 65.4 | 19 | 281 | 1 | |
| SK50-BST-100 | 211.95 | 100 | 101.95 | 19 | 81 | 1 | 5 |
| -150 | 261.95 | 150 | 101.95 | 19 | 131 | 1 | |
| -200 | 311.95 | 200 | 101.95 | 19 | 181 | 1 | |
| -250 | 361.95 | 250 | 101.95 | 19 | 231 | 1 | |
| -300 | 411.95 | 300 | 101.95 | 19 | 281 | 2 | 13 |
| -350 | 461.95 | 350 | 101.95 | 19 | 331 | 2 | |
| -400 | 511.95 | 400 | 101.95 | 19 | 381 | 2 | |
| -450 | 561.95 | 450 | 101.95 | 19 | 431 | 2 | |
| -500 | 611.95 | 500 | 101.95 | 19 | 481 | 2 | |

特点:

注:

- 整支通孔，利于出水及抗震
- 非标可订制 (400L/450L/500L/600L)
- 列表中的产品规格以库存实物为准
- 拉钉须另行购买

规格说明:

SK40 - BST - 100

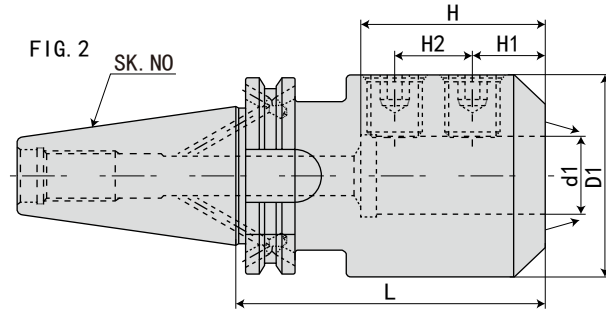
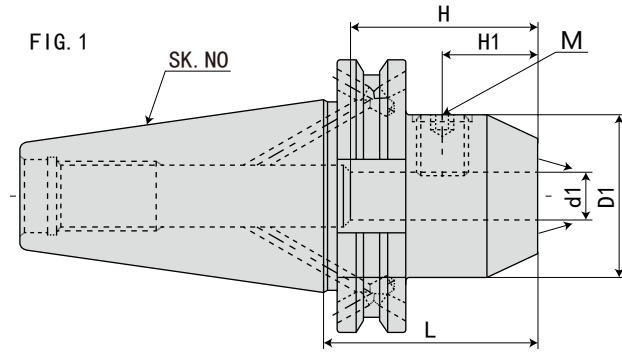
- L1 长度 Length (L)
- 功能代号 Side lock end mill holder type
- 锥柄形式 Shank size

Features:

- The entire through hole, favors the water leakage and quakeproof.
- Can be made upon requested Dimensions
- The list of product's specifications reference to material object.
- The pull stud must purchase alone.

· SK-EMH 喷射型侧固式刀柄

SK-EMH SPRAY NOZZLE TYPE END MILL HOLDER



配件 Accessories



» P. J20

| 规格 Model | d1 | D1 | L | H | H1 | FIG | M | 重量 KGS |
|---------------------|----|----|-----|------|------|-----|-----------|--------|
| SK40AD/B- EMH6C- 50 | 6 | 25 | 50 | 35 | 18 | 1 | M6*1.0P | 0.86 |
| - EMH8C- 50 | 8 | 28 | 50 | 35 | 18 | 1 | M8*1.25P | 0.89 |
| -EMH10C- 50 | 10 | 35 | 50 | 35.5 | 20 | 1 | M10*1.5P | 0.95 |
| -EMH12C- 50 | 12 | 42 | 50 | 36 | 22.5 | 1 | M12*1.75P | 1.03 |
| -EMH14C- 50 | 14 | 44 | 50 | 36 | 22.5 | 1 | M12*1.75P | 1.26 |
| -EMH16C- 63 | 16 | 48 | 63 | 46 | 24 | 1 | M14 | 1.28 |
| -EMH18C- 63 | 18 | 50 | 63 | 46 | 24 | 1 | M14 | 1.35 |
| -EMH20C- 63 | 20 | 52 | 63 | 48 | 25 | 1 | M16*2.0P | 1.4 |
| -EMH25C-100 | 25 | 65 | 100 | 55 | 25 | 2 | M18*2.5P | 2.29 |
| -EMH32C-100 | 32 | 72 | 100 | 57 | 28 | 2 | M20*2.5P | 2.5 |
| SK50AD/B- EMH6C- 63 | 6 | 25 | 63 | 35 | 18 | 1 | M6*1.0P | 2.7 |
| - EMH8C- 63 | 8 | 28 | 63 | 35 | 18 | 1 | M8*1.25P | 2.7 |
| -EMH10C- 63 | 10 | 35 | 63 | 35.5 | 20 | 1 | M10*1.5P | 2.9 |
| -EMH12C- 63 | 12 | 42 | 63 | 36 | 22.5 | 1 | M12*1.75P | 2.9 |
| -EMH14C- 63 | 14 | 44 | 63 | 36 | 22.5 | 1 | M12*1.75P | 3 |
| -EMH16C- 63 | 16 | 48 | 63 | 46 | 24 | 1 | M14 | 3 |
| -EMH18C- 63 | 18 | 50 | 63 | 46 | 24 | 1 | M14 | 3 |
| -EMH20C- 63 | 20 | 52 | 63 | 48 | 25 | 1 | M16*2.0P | 3.05 |
| -EMH25C- 80 | 25 | 65 | 80 | 55 | 25 | 2 | M18*2.5P | 3.73 |
| -EMH32C-100 | 32 | 72 | 100 | 57 | 28 | 2 | M20*2.5P | 4.53 |
| -EMH40C-120 | 40 | 90 | 120 | 68 | 32 | 2 | M20*2.5P | 4.8 |

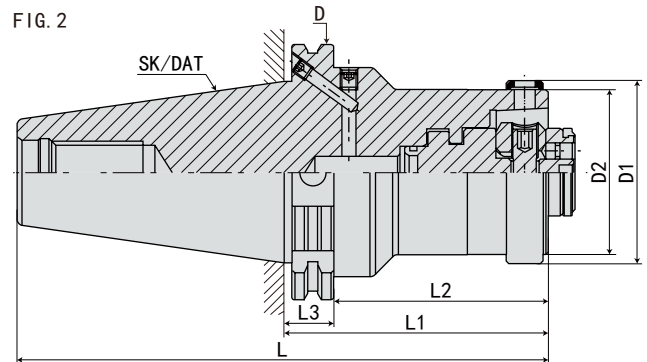
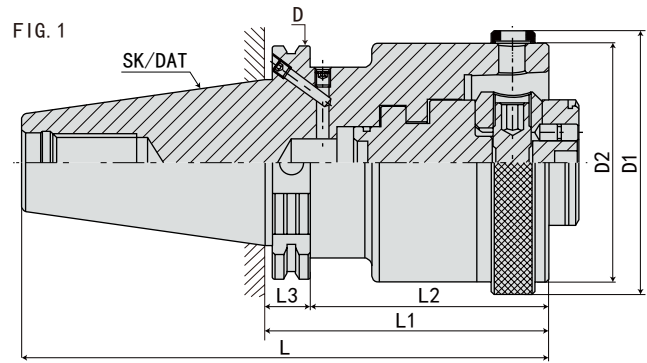
规格说明:

SK40AD/B - EMH 6C - 50

- L 长度 Length (L)
- 接口大小 Collect model
- 功能代号 Side lock end mill holder type
- 锥柄形式 Shank size

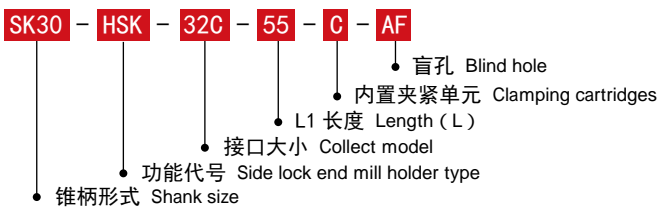


· SK 转换套 (内置夹紧单元) SK CONVERSION SLEEVE (CLAMPING CARTRIDGES)

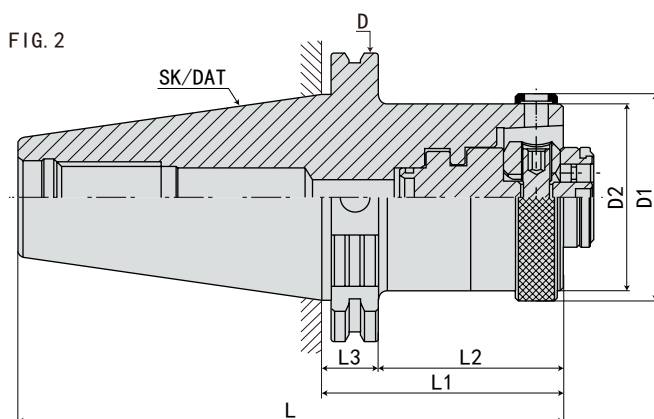
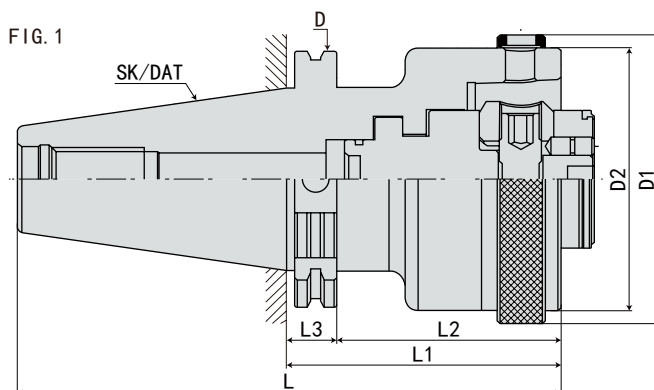


| 规格 | L | L1 | L2 | L3 | D | D1 | D2 | FIG | 重量 |
|-----------------------|--------|-----|----|------|-------|-----|-----|-----|-----|
| SK30- HSK32C- 55C- AF | 102.8 | 55 | 36 | 19.1 | 50 | 37 | 32 | 2 | 0.7 |
| - HSK40C- 60C- AF | 107.8 | 60 | 41 | 19.1 | 50 | 45 | 40 | 1 | 0.8 |
| SK40- HSK32C- 55C- AF | 123.4 | 55 | 36 | 19.1 | 63.55 | 37 | 32 | 2 | 0.9 |
| - HSK40C- 60C- AF | 128.4 | 60 | 41 | 19.1 | 63.55 | 45 | 40 | 2 | 1 |
| - HSK50C- 65C- AF | 133.4 | 65 | 46 | 19.1 | 63.55 | 55 | 50 | 2 | 1 |
| - HSK63C- 75C- AF | 143.4 | 75 | 56 | 19.1 | 63.55 | 70 | 63 | 1 | 1.2 |
| SK50- HSK32C- 55C- AF | 156.75 | 55 | 36 | 19.1 | 97.5 | 37 | 32 | 2 | 2.7 |
| - HSK40C- 60C- AF | 161.75 | 60 | 41 | 19.1 | 97.5 | 45 | 40 | 2 | 2.8 |
| - HSK50C- 65C- AF | 166.75 | 65 | 46 | 19.1 | 97.5 | 55 | 50 | 2 | 2.9 |
| - HSK63C- 75C- AF | 176.75 | 75 | 56 | 19.1 | 97.5 | 70 | 63 | 2 | 3.1 |
| - HSK80C- 85C- AF | 186.75 | 85 | 66 | 19.1 | 97.5 | 87 | 80 | 2 | 4 |
| - HSK100C- 100C- AF | 201.75 | 100 | 81 | 19.1 | 97.5 | 110 | 100 | 1 | 5 |

规格说明:

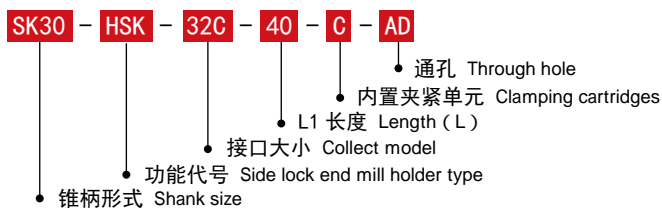


· SK 转换套 (内置夹紧单元) SK CONVERSION SLEEVE (CLAMPING CARTRIDGES)

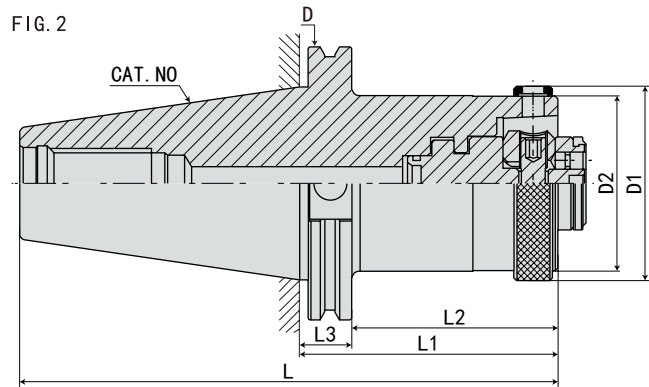
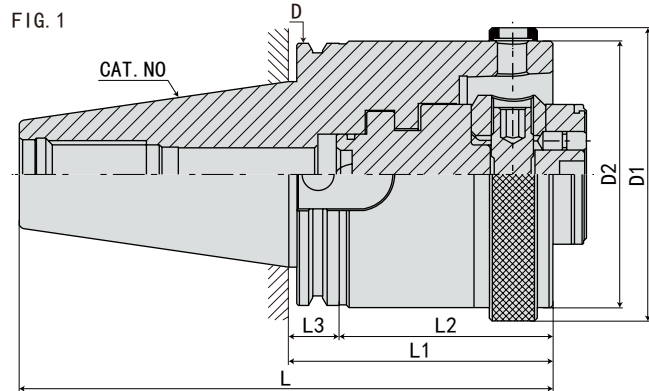


| 规格 | L | L1 | L2 | L3 | D | D1 | D2 | FIG | 重量 |
|---------------------|--------|----|----|------|-------|-----|-----|-----|-----|
| SK30- HSK32C-40C-AD | 87.8 | 40 | 21 | 19.1 | 50 | 37 | 32 | 2 | 0.7 |
| - HSK40C-60C-AD | 107.8 | 60 | 41 | 19.1 | 50 | 45 | 40 | 1 | 0.8 |
| SK40- HSK32C-40C-AD | 108.4 | 40 | 21 | 19.1 | 63.55 | 37 | 32 | 2 | 0.9 |
| - HSK40C-40C-AD | 108.4 | 40 | 21 | 19.1 | 63.55 | 45 | 40 | 2 | 1 |
| - HSK50C-60C-AD | 128.4 | 60 | 41 | 19.1 | 63.55 | 55 | 50 | 2 | 1 |
| - HSK63C-75C-AD | 143.4 | 75 | 56 | 19.1 | 63.55 | 70 | 63 | 1 | 1.2 |
| SK50- HSK32C-40C-AD | 141.75 | 40 | 21 | 19.1 | 97.5 | 37 | 32 | 2 | 2.7 |
| - HSK40C-40C-AD | 141.75 | 40 | 21 | 19.1 | 97.5 | 45 | 40 | 2 | 2.8 |
| - HSK50C-40C-AD | 141.75 | 40 | 21 | 19.1 | 97.5 | 55 | 50 | 2 | 2.9 |
| - HSK63C-40C-AD | 141.75 | 40 | 21 | 19.1 | 97.5 | 70 | 63 | 2 | 3.1 |
| - HSK80C-80C-AD | 181.75 | 80 | 61 | 19.1 | 97.5 | 87 | 80 | 2 | 4 |
| - HSK100C-95C-AD | 196.75 | 95 | 76 | 19.1 | 97.5 | 110 | 100 | 1 | 5 |

规格说明:

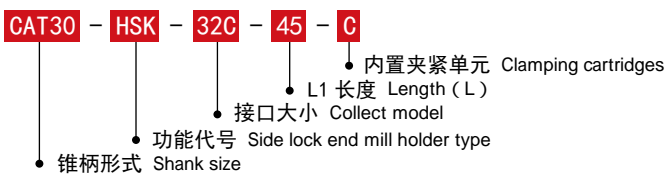


· CAT 转换套 (内置夹紧单元) CAT CONVERSION SLEEVE (CLAMPING CARTRIDGES)

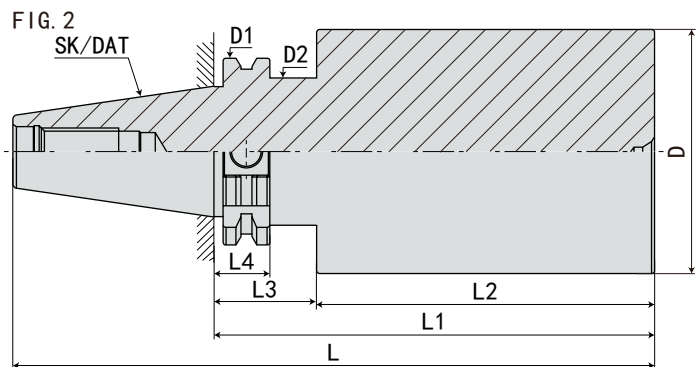
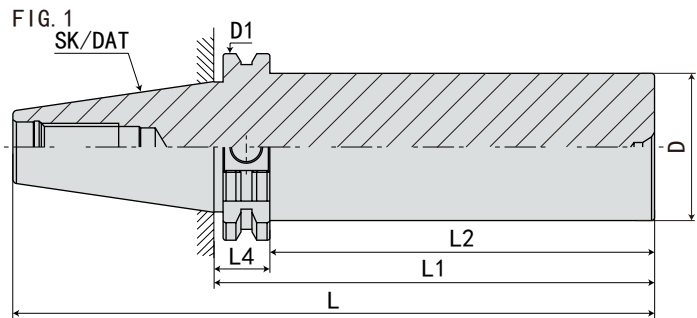


| 规格 | L | L1 | L2 | L3 | D | D1 | D2 | FIG | 重量 |
|--------------------|-------|----|----|------|------|-----|-----|-----|-----|
| CAT30- HSK32C- 45C | 92.6 | 45 | 29 | 15.9 | 46 | 37 | 32 | 2 | 0.7 |
| - HSK40C- 60C | 107.6 | 60 | 44 | 15.9 | 46 | 45 | 40 | 1 | 0.8 |
| CAT40- HSK32C- 50C | 118.2 | 50 | 34 | 15.9 | 63.5 | 37 | 32 | 2 | 0.9 |
| - HSK40C- 50C | 118.2 | 50 | 34 | 15.9 | 63.5 | 45 | 40 | 2 | 1 |
| - HSK50C- 60C | 128.2 | 60 | 44 | 15.9 | 63.5 | 55 | 50 | 2 | 1 |
| - HSK63C- 75C | 143.2 | 75 | 59 | 15.9 | 63.5 | 70 | 63 | 1 | 1.2 |
| CAT50- HSK32C- 50C | 151.6 | 50 | 34 | 15.9 | 98.4 | 37 | 32 | 2 | 2.7 |
| - HSK40C- 50C | 151.6 | 50 | 34 | 15.9 | 98.4 | 45 | 40 | 2 | 2.8 |
| - HSK50C- 55C | 156.6 | 55 | 39 | 15.9 | 98.4 | 55 | 50 | 2 | 2.9 |
| - HSK63C- 55C | 156.6 | 55 | 39 | 15.9 | 98.4 | 70 | 63 | 2 | 3.1 |
| - HSK80C- 80C | 181.6 | 80 | 64 | 15.9 | 98.4 | 87 | 80 | 2 | 4 |
| - HSK100C- 95C | 196.6 | 95 | 79 | 15.9 | 98.4 | 110 | 100 | 1 | 5 |

规格说明:



· SK- 基础柄刀柄 SK SEMI-FINISHED TOOL HOLDER



| 规格 Model | L | L1 | L2 | L3 | L4 | D | D1 | D2 | FIG | 重量 KGS |
|---------------|-------|-----|-------|----|------|-----|-------|----|-----|--------|
| SK40- D50-100 | 168.4 | 100 | 80.9 | - | 19.1 | 50 | 63.55 | - | 1 | |
| -125 | 193.4 | 125 | 105.9 | - | 19.1 | 50 | 63.55 | - | 1 | |
| -150 | 218.4 | 150 | 130.9 | - | 19.1 | 50 | 63.55 | - | 1 | |
| -175 | 243.4 | 175 | 155.9 | - | 19.1 | 50 | 63.55 | - | 1 | |
| -200 | 268.4 | 200 | 180.9 | - | 19.1 | 50 | 63.55 | - | 1 | |
| - D63-100 | 168.4 | 100 | 65 | 35 | 19.1 | 63 | 63.55 | 50 | 2 | |
| -125 | 193.4 | 125 | 90 | 35 | 19.1 | 63 | 63.55 | 50 | 2 | |
| -150 | 218.4 | 150 | 115 | 35 | 19.1 | 63 | 63.55 | 50 | 2 | |
| -175 | 243.4 | 175 | 140 | 35 | 19.1 | 63 | 63.55 | 50 | 2 | |
| -200 | 268.4 | 200 | 165 | 35 | 19.1 | 63 | 63.55 | 50 | 2 | |
| -225 | 293.4 | 225 | 190 | 35 | 19.1 | 63 | 63.55 | 50 | 2 | |
| - D83-100 | 168.4 | 100 | 65 | 35 | 19.1 | 83 | 63.55 | 50 | 2 | |
| -125 | 193.4 | 125 | 90 | 35 | 19.1 | 83 | 63.55 | 50 | 2 | |
| -150 | 218.4 | 150 | 115 | 35 | 19.1 | 83 | 63.55 | 50 | 2 | |
| -175 | 243.4 | 175 | 140 | 35 | 19.1 | 83 | 63.55 | 50 | 2 | |
| -200 | 268.4 | 200 | 165 | 35 | 19.1 | 83 | 63.55 | 50 | 2 | |
| -225 | 293.4 | 225 | 190 | 35 | 19.1 | 83 | 63.55 | 50 | 2 | |
| -D102-100 | 168.4 | 100 | 65 | 35 | 19.1 | 102 | 63.55 | 50 | 2 | |
| -125 | 193.4 | 125 | 90 | 35 | 19.1 | 102 | 63.55 | 50 | 2 | |
| -150 | 218.4 | 150 | 115 | 35 | 19.1 | 102 | 63.55 | 50 | 2 | |
| -175 | 243.4 | 175 | 140 | 35 | 19.1 | 102 | 63.55 | 50 | 2 | |
| -200 | 268.4 | 200 | 165 | 35 | 19.1 | 102 | 63.55 | 50 | 2 | |
| -225 | 293.4 | 225 | 190 | 35 | 19.1 | 102 | 63.55 | 50 | 2 | |

规格说明:

SK40 - D - 50 - 100

- L1 长度 Length (L)
- 刀杆直径 Bore diameter
- 功能代号 Face mill holder type
- 锥柄形式 Shank size